

## Catalog Number Example

RLINS-SPOT2.0-BLBL-30K-C90-48V-010V-45D-1000LM-14W-R24-SN-HL

### A SYSTEM

R-LINE R L I N S

### B PRODUCT

Spot 1.5 S P O T 1 . 5  
Spot 2.0 S P O T 2 . 0

### C COLOR HEAD

Black RAL9005 B L \_ \_  
White RAL9016 W H \_ \_  
Bronze Anodized B Z \_ \_  
Custom RAL X X \_ \_  
custom RAL, please contact XAL

### ADAPTER COLOR sub option

Black \_ \_ B L  
White \_ \_ W H

recommendation: adapter & track color should match

### D CCT/CRI

2700K /CRI>90 2 7 K - C 9 0  
3000K /CRI>90 3 0 K - C 9 0  
3500K /CRI>90 3 5 K - C 9 0

### E VOLTAGE

48V low constant voltage 4 8 V  
remote driver required (see driver cutsheet)

### F DIMMING

0-10V 1% dimming 0 1 0 V

### G CIRCUIT

1 or 2 Circuit \*  
compatible with 1 or 2 track (see driver cutsheet)  
\*leave blank

### H BEAM ANGLE Spot 1.5

12° spot 1 2 D  
21° medium 2 1 D  
35° flood 3 5 D  
58° ultra wide flood 5 8 D

### BEAM ANGLE Spot 2.0

12° spot 1 2 D  
24° medium 2 4 D  
38° flood 3 8 D  
45° wide flood 4 5 D  
60° ultra wide flood 6 0 D

### I OUTPUT SPOT 1.5

500 lm 8W 5 0 0 L M - 8 W  
750 lm 11W 7 5 0 L M - 1 1 W  
1000 lm 15W 1 0 0 0 L M - 1 5 W

### OUTPUT SPOT 2.0

1000 lm 10W 1 0 0 0 L M - 1 0 W  
1500 lm 20W 1 5 0 0 L M - 2 0 W  
2000 lm 24W 2 0 0 0 L M - 2 4 W

## Optional Accessories

ships separately

### J ADAPTER COVER

ship standard with straight cover (field changeable)

Curved R18° R 1 8  
Curved R24° R 2 4  
Curved R36° R 3 6  
Straight S T R

### K SNOOT

Anti Glare Snoot 1" S N

### L LENS/FILTER pick one or multiple

Hex Louver H L  
Set Extra Lenses all beam spreads E X  
Solite Filter now available S F  
Diffusion Filter now available D F

## Other Options

### + LINEAR OPAL

see R-Line Linear cutsheet

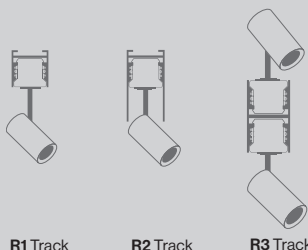
### + CURVE OPAL

see R-Line Curve Opal cutsheet

### + LOUVER

see R-Line Louver cutsheet

## CONFIGURATIONS

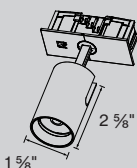


R1 Track

R2 Track

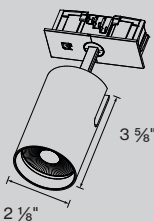
R3 Track

### SPOT 1.5



1 5/8"

### SPOT 2.0



2 1/8"

## BEAM ANGLE

### SPOT 1.5



12°

21°

35°

58°

### SPOT 2.0



12°

24°

38°

45°

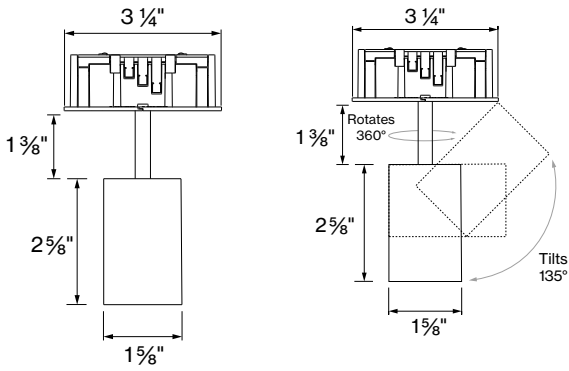
60°

## COLORS

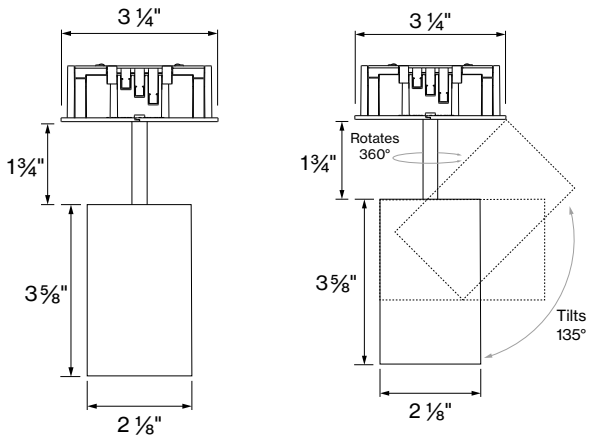


## DIMENSIONS

### SPOT 1.5



### SPOT 2.0



## OPTIONS

