

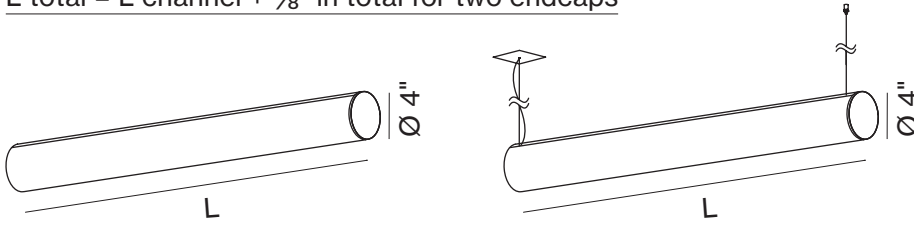
# TUBE 4.0 surface / suspended

## MOUNTING INSTRUCTIONS

### DO NOT DISCARD!

#### Fixture length

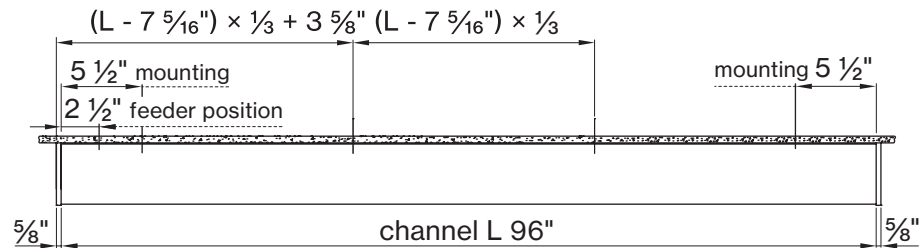
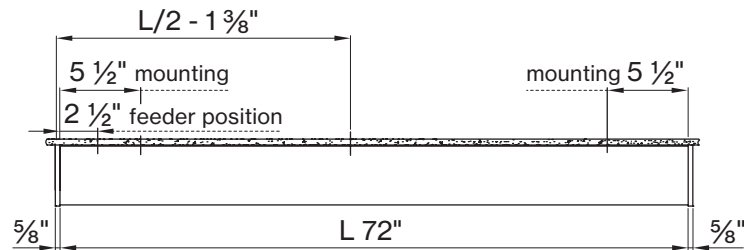
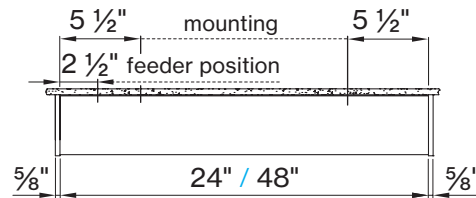
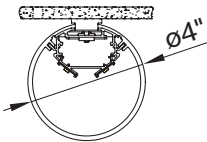
$L \text{ total} = L \text{ channel} + \frac{5}{8}"$  in total for two endcaps



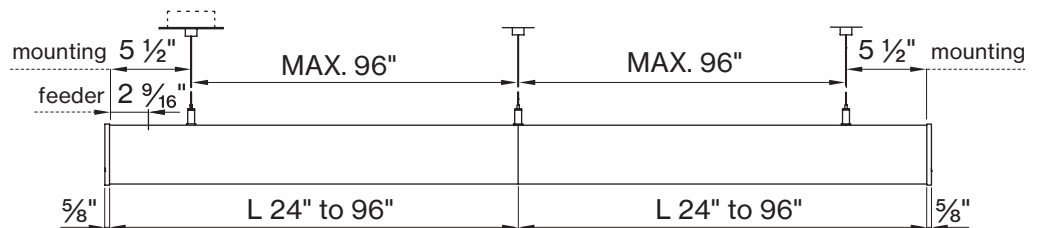
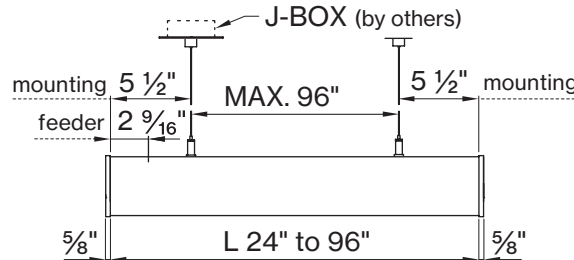
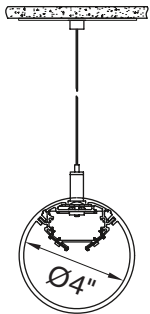
**IMPORTANT:** For your safety read and understand these instructions completely before starting installation. Disconnect power supply before installing, servicing or checking. Retain these instructions for ordinary and special maintenance and servicing purposes. This fixture must be installed by a qualified electrician in accordance with the National Electric Code and all local codes and practices. To assure full compliance with local codes and regulations, check with your local electrical inspector before installation. These codes should be carefully studied before starting work.

**Do not touch the LEDs!**  
Wear ESD protective clothing.  
**Mounting hardware supplied by others.**

#### SURFACE

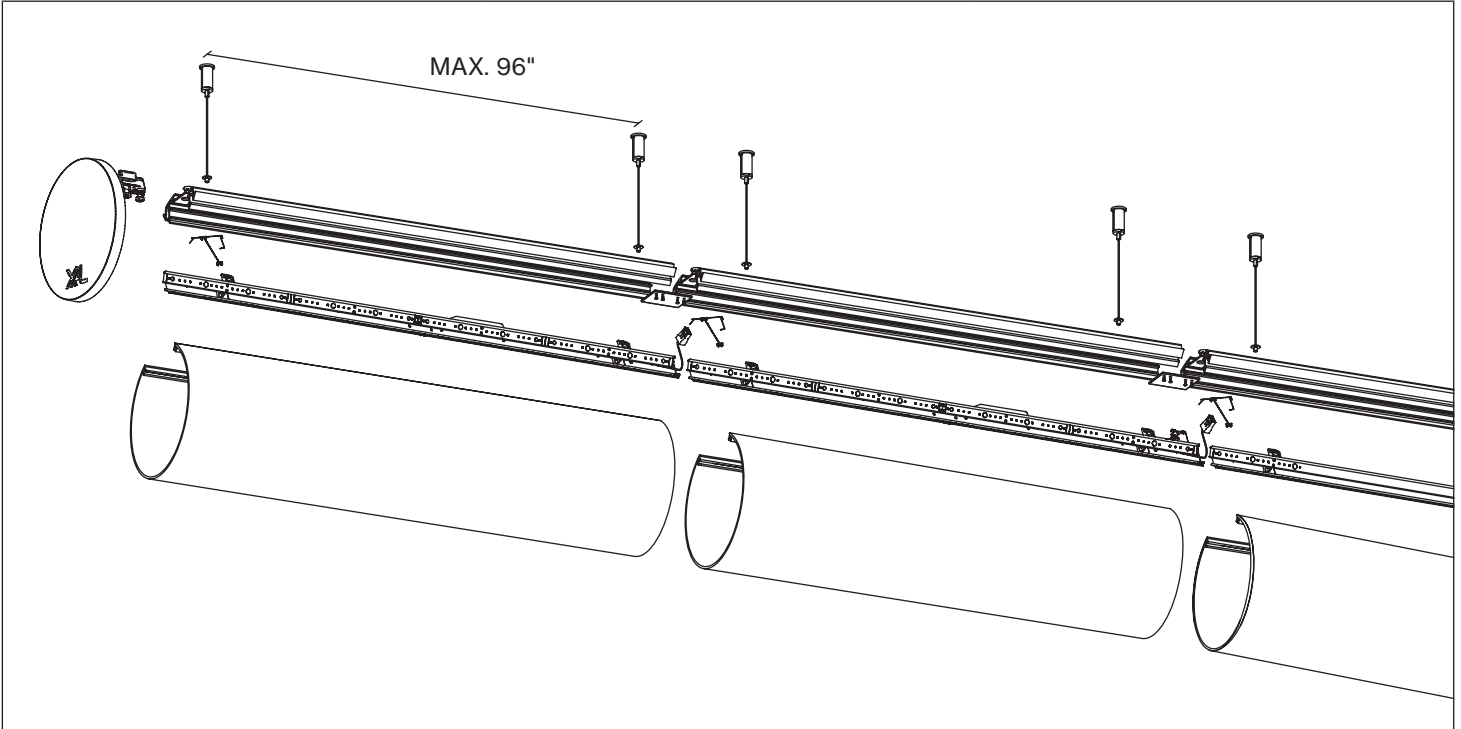


#### SUSPENDED



# TUBE 4.0 surface / suspended

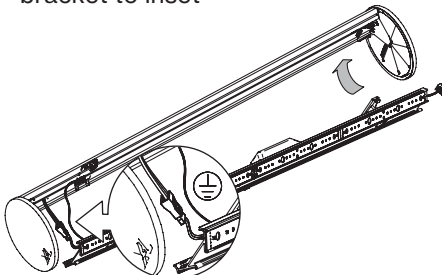
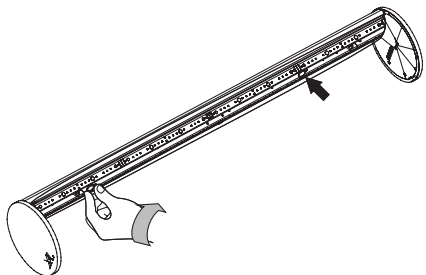
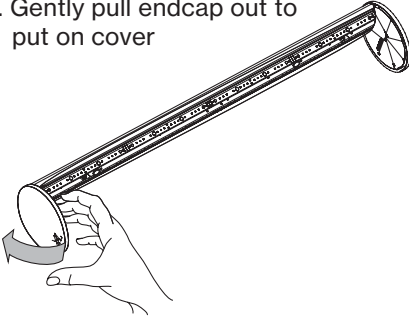
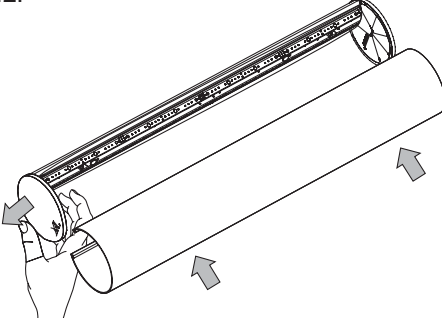
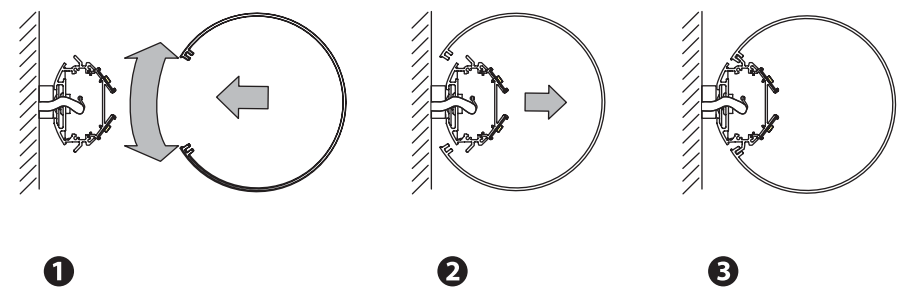
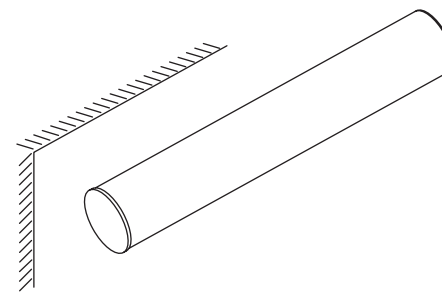
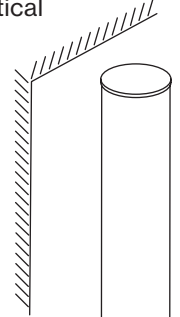
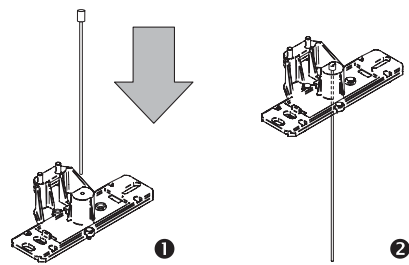
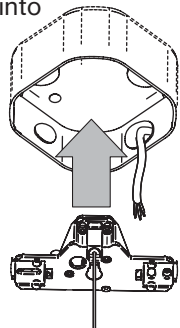
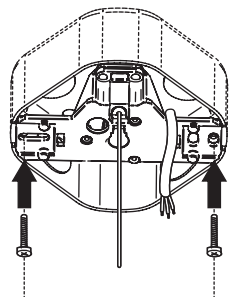
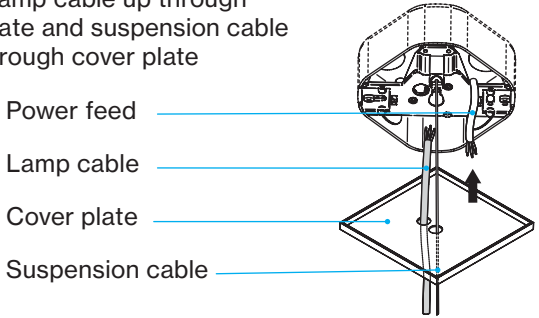
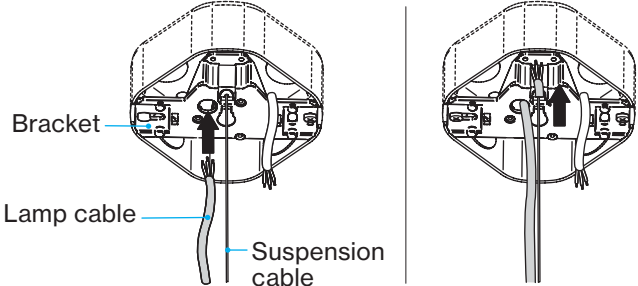
## MOUNTING INSTRUCTIONS



<p><b>1. Surface Version</b></p>	<p><b>2. Mark the desired position of the mounting brackets</b></p>	<p><b>3. Drill holes and insert anchors</b></p>
<p><b>4. Screw on brackets</b></p>	<p><b>5. Optional vertical mounting</b></p>	<p><b>6. Screw fixture to bracket</b></p>
<p><b>7. Click on grounding bracket</b></p>		<p><b>8. Do not touch the LEDs! The electrostatic discharge could damage them. Wear ESD protective clothing.</b></p>

# TUBE 4.0 surface / suspended

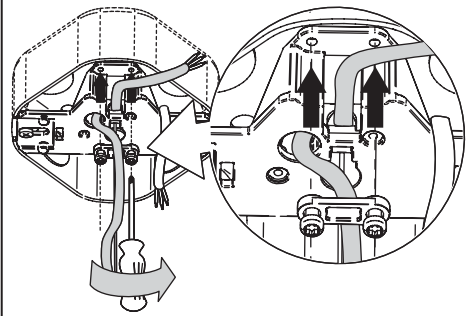
## MOUNTING INSTRUCTIONS

<p>9. Connect power input and grounding bracket to inset</p> 	<p>10. Close inset locks</p> 	<p>11. Gently pull endcap out to put on cover</p> 
<p>12.</p> 	<p>13.</p>  <p style="text-align: center;"><b>1</b>                      <b>2</b>                      <b>3</b></p>	
<p>14.</p> 	<p>15. Optional vertical mounting</p> 	<p>16. <b>SUSPENDED VERSIONS</b></p> <p><b>Option A:</b> Suspension and power feed both run through cover plate.</p> <p><b>Option B:</b> Suspension and power feed are separate. Power feed runs through cover plate, suspension does not.</p>
<p>17. <b>Option A:</b> Thread the suspension cable down through the bracket</p>  <p style="text-align: center;"><b>1</b>                      <b>2</b></p>	<p>18. Insert the bracket into the junction box</p> <p>Junction box supplied by others</p> 	<p>19. Screw bracket to junction box</p> 
<p>20. Thread lamp cable up through cover plate and suspension cable down through cover plate</p>  <p>Power feed</p> <p>Lamp cable</p> <p>Cover plate</p> <p>Suspension cable</p>	<p>21. Thread lamp cable through bracket</p>  <p>Bracket</p> <p>Lamp cable</p> <p>Suspension cable</p>	

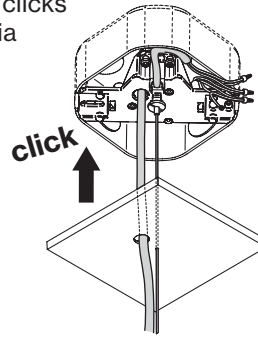
# TUBE 4.0 surface / suspended

## MOUNTING INSTRUCTIONS

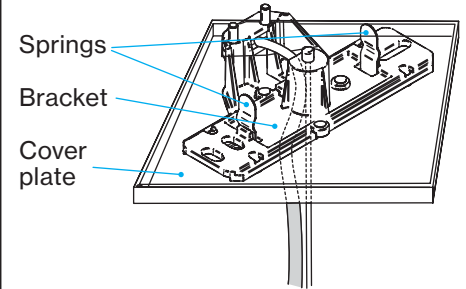
22. Screw on strain relief



23. Cover plate clicks to bracket via springs

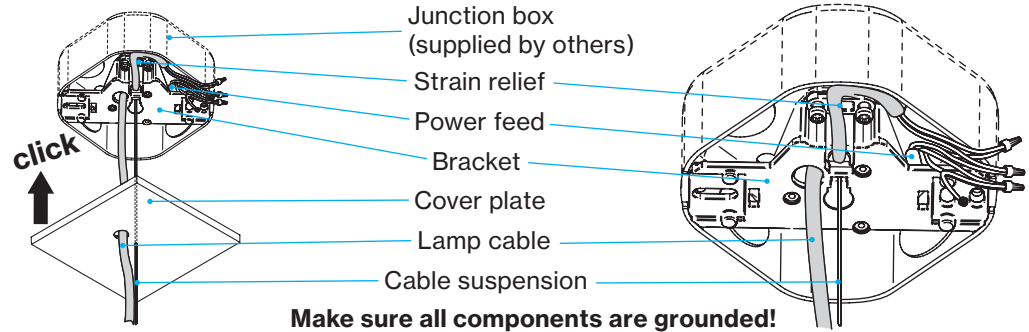


24.

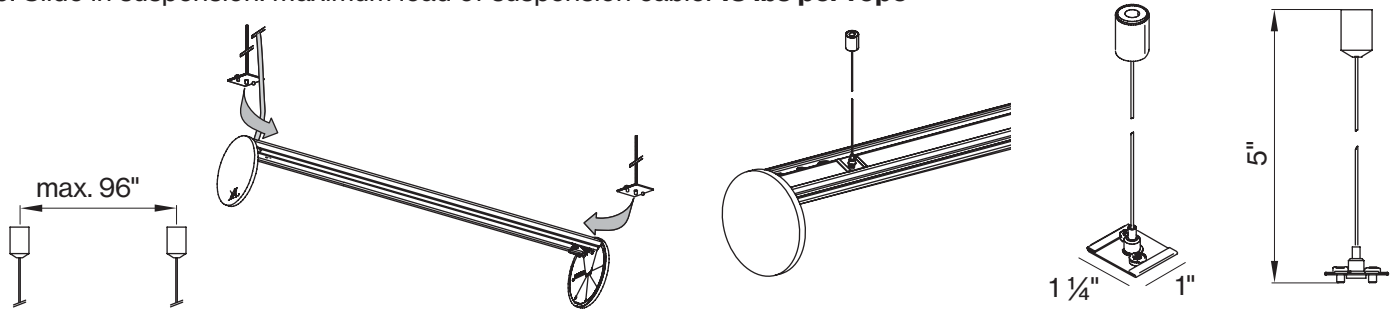


25. **Option A:**

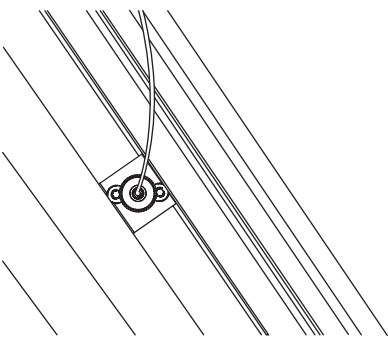
Standard option. The lamp cable and the suspension run through the cover plate



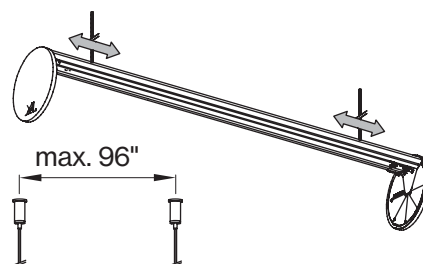
26. Slide in suspension. Maximum load of suspension cable: **18 lbs per rope**



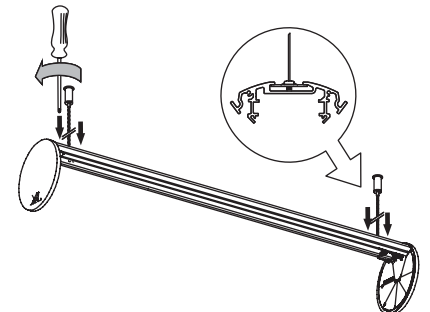
27.



28. Slide suspension to desired position.



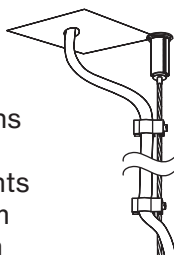
29. Secure suspension with screws.



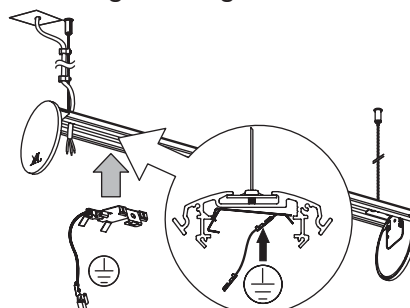
30.

**Option B:**

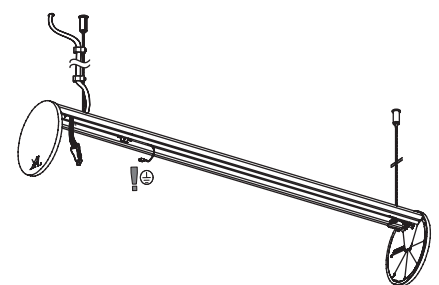
Lamp cable runs through cover plate and mounts separately from the suspension



31. Click in grounding

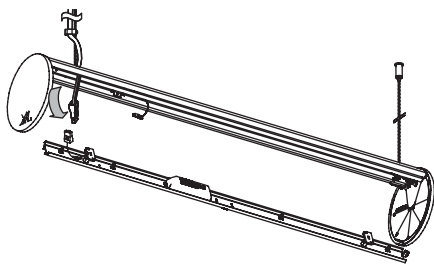
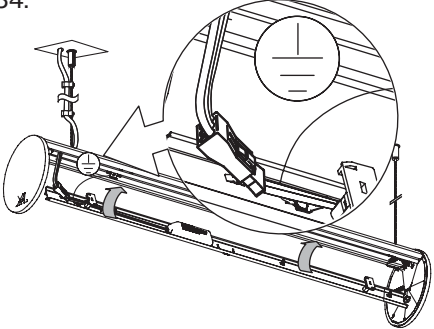
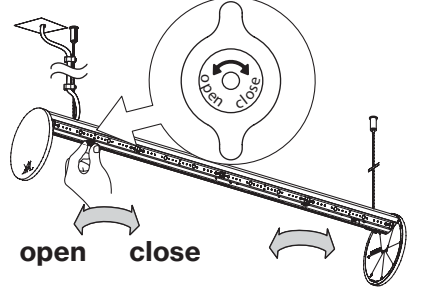
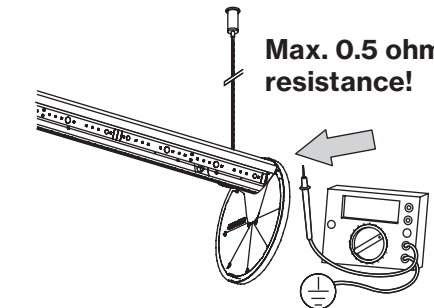
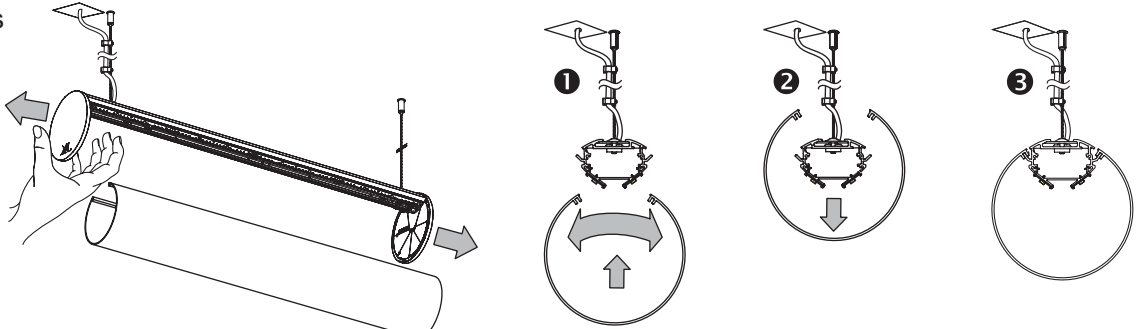
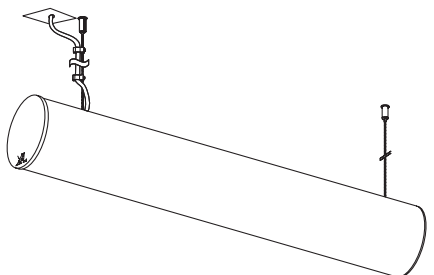
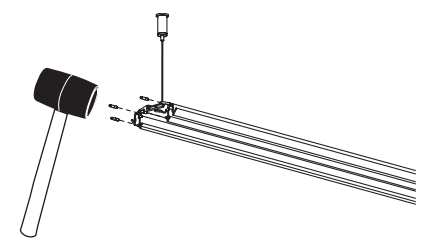
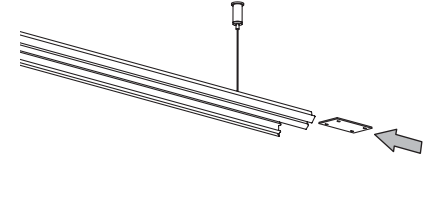
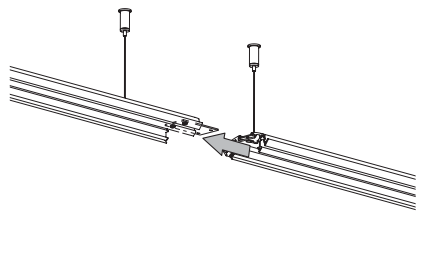
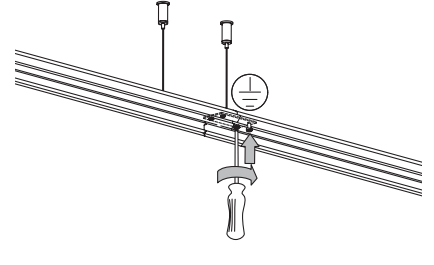
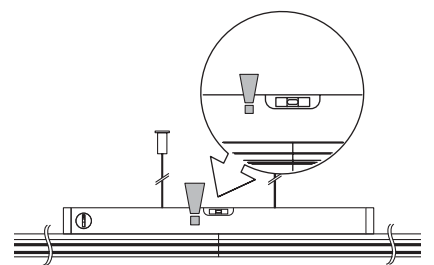


32.



# TUBE 4.0 surface / suspended

## MOUNTING INSTRUCTIONS

<p>33. Connect power input and grounding bracket to inset</p> 	<p>34.</p> 	<p><b>Do not touch the LEDs!</b> The electrostatic discharge could damage them. Wear ESD protective clothing.</p>	
<p>35. Close inset locks</p> 	<p>36. Testing the current:</p> <p><b>Max. 0.5 ohm resistance!</b></p> 		
<p>37. Gently pull endcaps to outside and attach cover</p> 	<p>38. Single installation complete</p> 	<p>39. <b>For lengths longer than 10 ft</b> Insert channel connector pins</p> 	<p>40. Screw on channel connector plate</p> 
<p>41. Connect channels</p> 	<p>42.</p> 	<p>43. Make sure the fixture is level</p> 	

# TUBE 4.0 surface / suspended

MOUNTING INSTRUCTIONS

## After Sales Service Hotline

Call the XAL After Sales Hotline from  
Monday to Friday, 8 AM - 6 PM (EST)

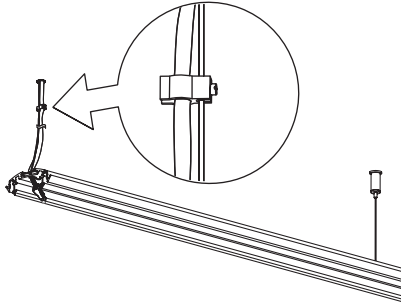
Hotline:

**+1 203 262 9990**

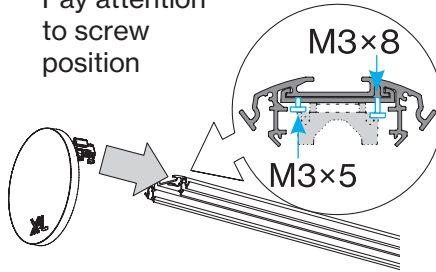
Or 24/7 via email:

**service@xalusa.com**

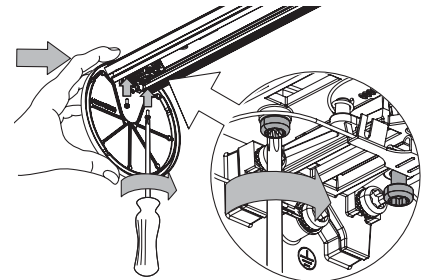
44.



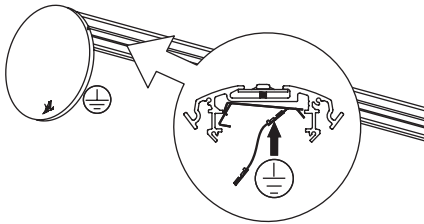
45. Screw on endcaps.  
Pay attention  
to screw  
position



46.

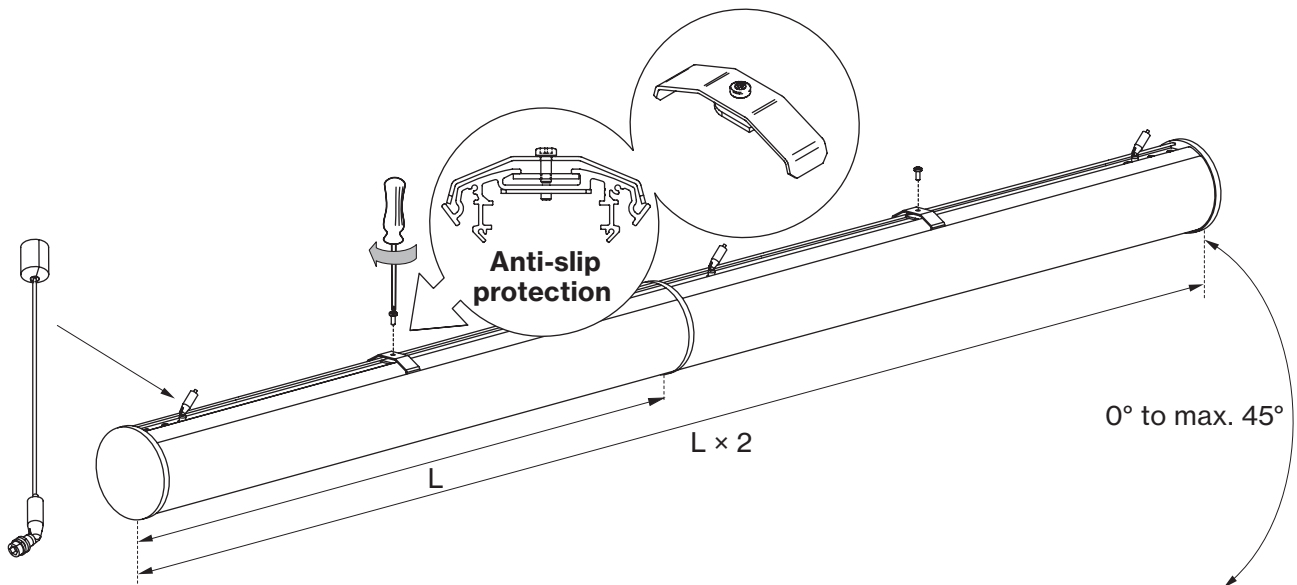
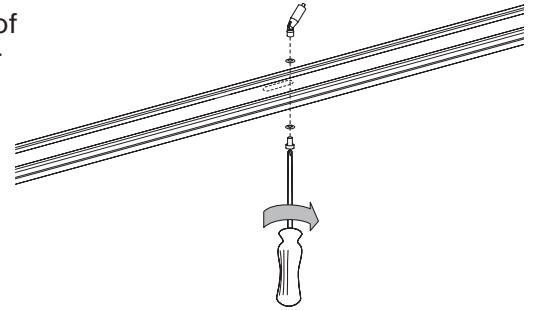


47. Attach grounding



48. **Optional angle suspension set**

When mounting at an angle of  
up to 45°, consult factory for  
information on anti-slip  
protection and longer  
suspension cables.



# TUBE 4.0 surface / suspended

## MOUNTING INSTRUCTIONS

### After Sales Service Hotline

Call the XAL After Sales Hotline from  
Monday to Friday, 8 AM - 6 PM (EST)

Hotline:  
**+1 203 262 9990**

Or 24/7 via email:  
**service@xalusa.com**

**EN** Installation, commissioning and maintenance may only be performed by authorized and qualified personnel, taking into consideration these installation instructions and any standards and regulations applicable to the respective area of application. The electrical, mechanical and thermal suitability of the luminaire for the intended area of application must be ensured and the secure fastening of the luminaire after its installation must be controlled. Turn off supply voltage before replacing any lamps (if applicable) as well as before performing any other works on the luminaire (e.g. cleaning) and wait until luminaire and lamp have completely cooled off. Please refer to the installation notes of the lamp manufacturer when inserting, replacing and operating conventional lamps. Use a soft, damp cloth to clean the luminaire. To clean plastic components and reflectors, a standard pH neutral, alcohol-free, non-abrasive cleaning agent may also be used. Keep these installation instructions in a safe place as reference for any future maintenance works.

1. The lamp is not suitable for outdoor use.
2. The lamp may only be used with a safety guard.
3. Damaged protection glasses and covers have to be replaced immediately.
4. Corrosive chemical products must not be used as this may have a detrimental effect on the luminaire.
5. No liability is accepted for any subsequent change of the luminaire.
6. LEDs are high-quality electronic components! Please avoid touching by hand the LED light emitting surface while assembling or replacing parts and during maintenance work.
7. To avoid damage of the profile, unevenness on the wall or ceiling must be leveled out before assembling the profiles. While assembling the profiles, make sure they do not deform in order to guarantee their proper function.
8. The light source contained in this luminaire shall only be replaced by the manufacturer or his service agent or a similar qualified person.
9. The LED circuit must always be closed, before the converter is connected to the main power. XAL does not assume any liability for damages resulting from nonobservance of this rule.
10. Luminous flux and connected electrical load are subject to an initial tolerance of up to +/- 10%. Color temperature is subject to a tolerance of up to +/- 150 Kelvin from the nominal value.

**FR** Le montage et la maintenance peut être effectuée par spécialistes respectant les normes y régles valides. Assurer l'aptitude thermique, mécanique et électrique pour l'emploi prévue et assurer la fixation de la luminaires. Éteindre la tension avant de changer les lampes (si applicable) ou avant de réaliser travaux (p.ex nettoyage) à la luminaires. Attendre jusqu'à ce que la luminaires et les lampes ont fraîchit complètement. Merci de bien vouloir vous référer aux notes d'installation du fabricant de la lampe lors de l'insertion, le remplacement et la mise en route, avec des lampes conventionnelles. Pour nettoyer la luminaires utiliser un drap humide et doux. Pour nettoyer les parties du plastique ou les réflecteurs on peut utiliser encore un produit de nettoyage sans alcool qui ne fraye pas le material. Garder cette notice de montage pour possibles travaux de maintenance.

1. La luminaires n'est pas apte pour l'utilizage exterieur.
2. Utilizer la luminaires seulement avec un dispositif de sécurité
3. Changer immédiatement des verres de sécurité defectes ou bien des écrans de protection.
4. Evitez tout contact de la lampe avec de produits chimiques corrosifs.
5. Nous déclinons toute responsabilité en cas de modifications ultérieures.
6. Des LEDs sont des composants électroniques de haute qualité! Eviter tout contact direct de la surface de sorti de lumière de la LED avec les mains lors du montage ou des travaux de maintenance de la lampe.
7. Pour éviter l'endommagement du profil, il est nécessaire de compenser les irrégularités du mur ou du plafond avant le montage des profils. Pour garantir un fonctionnement irréprochable des profils, il ne faut pas déformer les profils lors du montage.
8. La source du luminaires peut être remplacé uniquement par le fabricant ou un tiers habilité.
9. Il faut que le circuit de LED soit fermé avant de connecter le convertisseur. XAL ne assume pas la garantie si cette norme ne se respecte pas.
10. La puissance et le flux lumineux affichent d'origine une tolérance de +/-10%. Tolérance de la couleur de température : +/- 150 Kelvin.

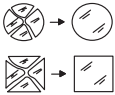
**ES** La instalación, la puesta en marcha y el mantenimiento sólo deben realizarse por personal especializado considerando esta guía de instalación y todas las normas y reglamentaciones vigentes. Asegurarse de la aptitud eléctrica, mecánica y térmica de la luminaria para la aplicación prevista y comprobar la fijación segura de la luminaria después de su instalación. Apagar siempre la corriente antes de cambiar la lámpara (en caso justificado) o de realizar algún otro trabajo en esta (p.ej. Limpieza). Esperar hasta que se enfrien la luminaria y la lámpara completamente. Tener en cuenta las instrucciones de montaje del fabricante al colocar, cambiar y utilizar lámparas convencionales. Para la limpieza de la luminaria utilizar un paño suave y húmedo. Para limpiar componentes de plástico y reflectores puede usar también un limpiador pH neutral y sin alcohol que no roce el material. Guardar esta guía de instalación para trabajos de mantenimiento.

1. La luminaria no es apta para utilizarla en el exterior.
2. La luminaria sólo debe accionar con un dispositivo de seguridad.
3. Cambie de inmediato los vidrios y las tapas de protección dañados.
4. Químicos que tienen efectos corrosivos no deben influir en la luminaria.
5. Para modificaciones futuras en la luminaria no se asume ninguna responsabilidad.
6. Los LED son componentes electrónicos de alta calidad! Por favor durante el montaje o el mantenimiento evite el contacto directo con la superficie de emisión.
7. Para evitar daños en el perfil, los desniveles de las paredes y techos deben ser enrasados antes del montaje de los perfiles. Para garantizar su buen funcionamiento, los perfiles no deben sufrir deformaciones durante el montaje.
8. La fuente luminosa contenida en esta luminaria debe ser reemplazada únicamente por el fabricante o su agente de servicio o similar persona cualificada.
9. El circuito LED debe ser cerrado antes de conectar el convertidor. XAL no asume garantía si esta norma no se respeta.
10. I dati di flusso luminoso e potenza sono inizialmente passibili di tolleranze di +/- 10%. Tolleranza della temperatura di colore: +/- 150 Kelvin.

We reserve the right to change our products at any time. Current information is available at [www.xalusa.com](http://www.xalusa.com).

Nos reservamos en todo momento el derecho de realizar cambios en nuestros productos. n nuestra página web [www.xalusa.com](http://www.xalusa.com) siempre se encontrarán datos actuales.

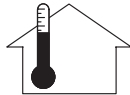
Nous nous réservons le droit de modifier à tout moment nos produits. Vous trouverez toujours toutes les informations actuelles sur [www.xalusa.com](http://www.xalusa.com).



The lamp may only be operated with its full protective cover!

L'apparechio necessita del relativo vetro di protezione!

Sólo usar la luminaria con su cobertura de seguridad completa!



Recommended room temperature: 77 °F.  
Temperatura ambiente recomendada: 77 °F.  
Température ambiante recommandée: 77 °F.



Don't touch the LED



Use gloves.  
Use guantes.  
Utiliser des gants.