

M-LINE HEX & ROUND



5 YEAR
limited
led warranty

Catalog Number Example

MLINS-HEX-BL-27K-C90-010V-1000LM

A RANGE

M-LINE inset M L I N S

E CRI

CRI > 90 C 9 0

B INSET TYPE

HEX H E X
ROUND R N D

for specific stem/cable lengths, please
contact customer service

F DIMMING

0-10V 1% single control 0 1 0 V
0-10V 1% dual control* D C 1 0

*two 0-10V dimming outputs
wiring diagram is on power supply page

C COLOR

Black B L

G OUTPUT LM

1000 lm / 10 W 1 0 0 0 L M

D CCT

2700 K 2 7 K
3000 K 3 0 K
3500 K 3 5 K
4000 K 4 0 K

H STEM LENGTH

Not field cuttable

Specify length # # # I N

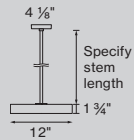
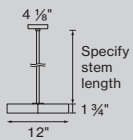
PERFORMANCE

- Decorative pendant shapes
- Magnetic inset attachment
- CRI > 90
- Safety catch locking

INSET TYPE

HEX

ROUND



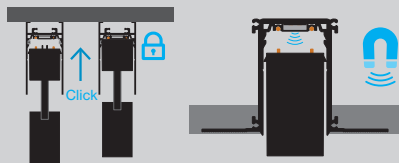
MAKE YOUR ROOM STAND OUT



MAGNETIC ATTACHMENT

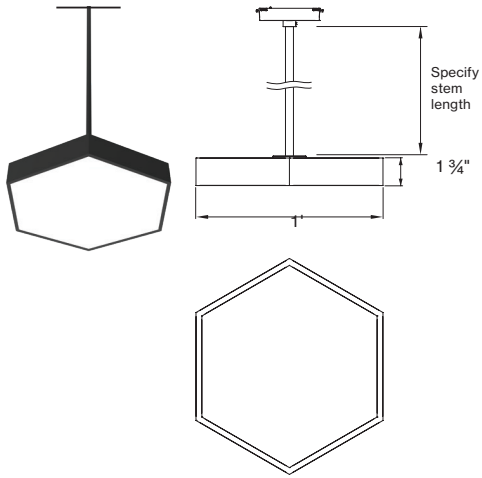


[link to video](#)

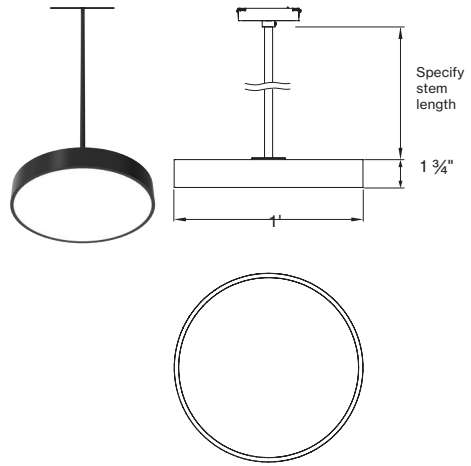


BASO
basolighting.com
xalusa.com

HEX pendant



ROUND pendant



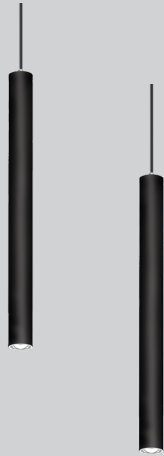
M-LINE Mounting Instructions

Get access to the M-LINE mounting instructions faster by scanning the QR code.

<https://www.xalusa.com/resources/mounting-instructions/m-line>



M-LINE TULIP



5 YEAR
limited
led warranty

Catalog Number Example

MLINS-TULP-BL-35K-C90-010V-0370LM

A RANGE

M-LINE inset MLINS

E CRI

CRI > 90 C90

B INSET TYPE

TULIP TULP
flood 37°

for specific stem/cable lengths, please
contact customer service

F DIMMING

0-10V 1% single control 010V
0-10V 1% dual control* DC10

*two 0-10V dimming outputs
wiring diagram is on power supply page

C COLOR

White WH
Black BL

G OUTPUT LM

370 lm / 10 W 0370LM

D CCT

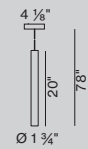
2700 K 27K
3000 K 30K
3500 K 35K
4000 K 40K

PERFORMANCE

- Magnetic inset attachment
- CRI > 90
- Safety catch locking

INSET TYPE

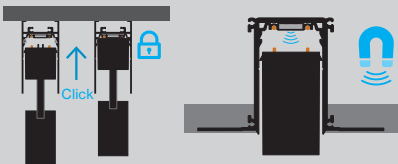
TULIP



MAKE YOUR ROOM STAND OUT

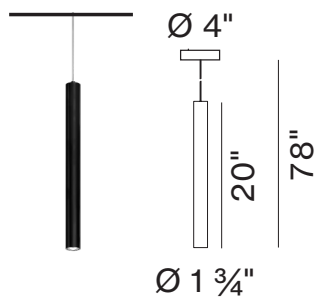


MAGNETIC ATTACHMENT



BASO
basolighting.com
xalusa.com

TULIP
pendant



M-LINE
Mounting Instructions

Get access to the M-LINE mounting instructions faster by scanning the QR code.

<https://www.xalusa.com/resources/mounting-instructions/m-line>



M-LINE TUBE



5 YEAR
limited
led warranty

Catalog Number Example

MLINS-1.1TUBE-BL-35K-C90-010V-0590LF-3FT

A RANGE

M-LINE inset MLINS

F DIMMING

0-10V 1% single control 010V

0-10V 1% dual control* DC10

*two 0-10V dimming outputs

wiring diagram is on power supply page

B INSET TYPE

TUBE 1.1 1.1TUBE

TUBE 1.2 1.2TUBE

G OUTPUT LM

590 lm/ft 100% \downarrow 0590LF

C COLOR

Black BL

fine texture powder coated

H DIMENSIONS IN FT

Linear 2' 10W 2FT

Linear 3' 15W 3FT

Linear 4' 20W 4FT

D CCT

2700 K 27K

3000 K 30K

3500 K 35K

4000 K 40K

E CRI

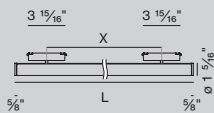
CRI > 90 C90

PERFORMANCE

- Magnetic inset attachment
- CRI > 90
- Safety catch locking

INSET TYPE

TUBE



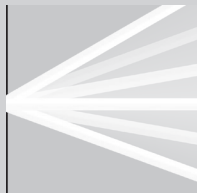
MAKE YOUR ROOM STAND OUT



ADDITIONAL FEATURES



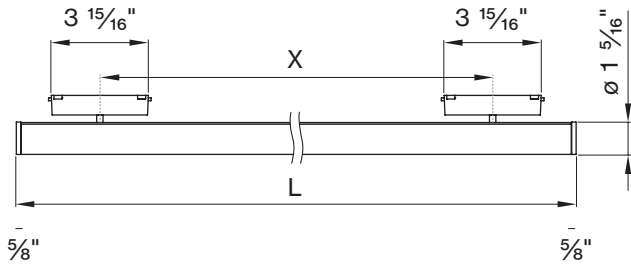
attaches to M-LINE
track via magnets



freely movable

BASO
basolighting.com
xalusa.com

TUBE inset



CHANNEL SPACING

| L | x |
|----|--------------------|
| 2' | $18 \frac{3}{4}$ " |
| 3' | $30 \frac{1}{2}$ " |
| 4' | $42 \frac{1}{4}$ " |

X = maximum on center channel spacing

**M-LINE
Mounting Instructions**

Get access to the M-LINE mounting instructions faster by scanning the QR code.

<https://www.xalusa.com/resources/mounting-instructions/m-line>

