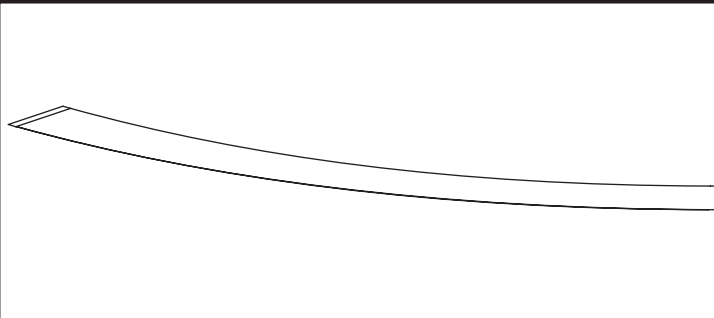
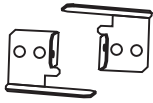


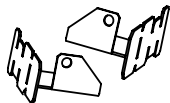
DO NOT DISCARD!



INCLUDED HARDWARE



Straight Connectors



Curve Connectors



Nuts/Bolts

SIGN LEGEND



POWER OFF



POWER ON



DON'T TOUCH THE LED



ATTENTION



USE ESD GLOVES

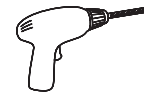
TOOLS REQUIRED (not included)



pencil



screwdriver



drill

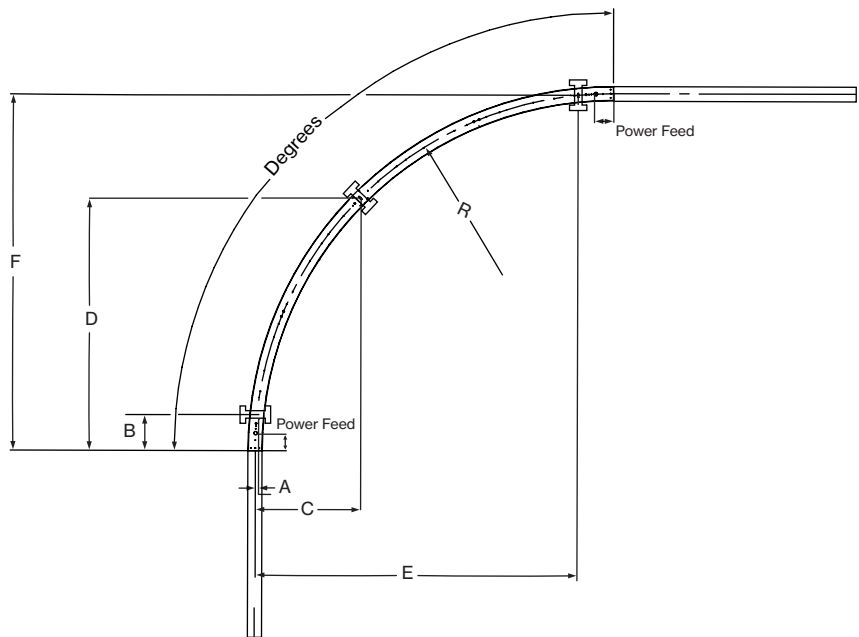
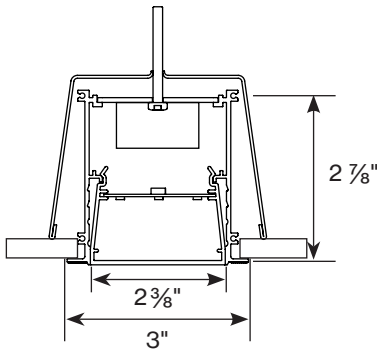


ESD gloves



level

RECESSED



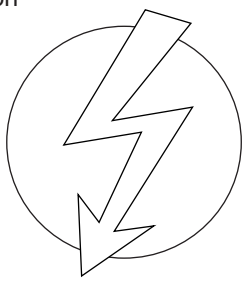

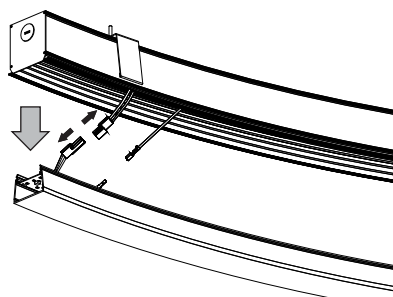
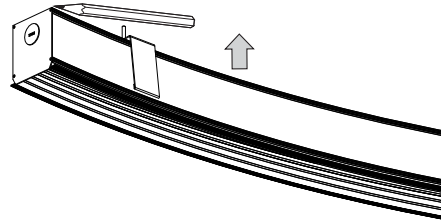
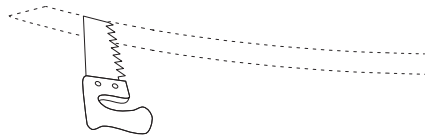
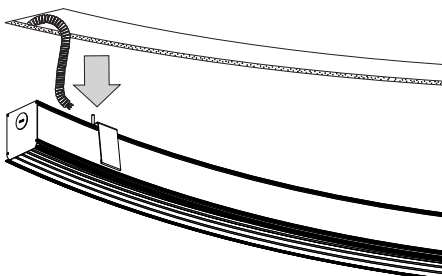
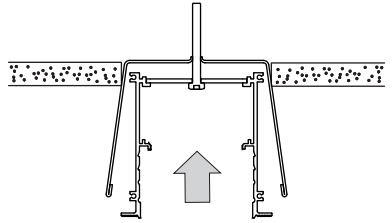
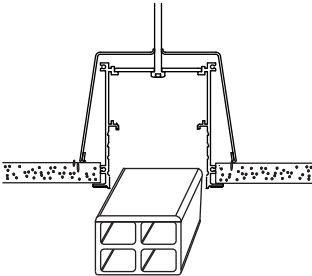
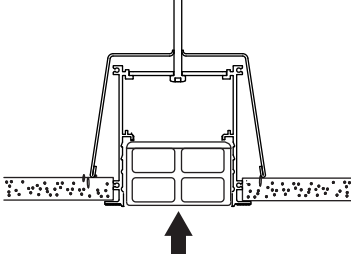
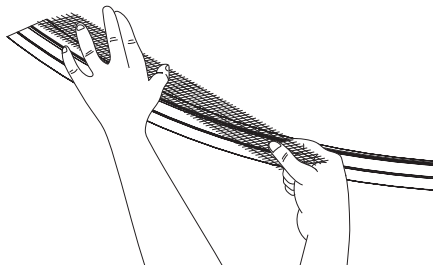
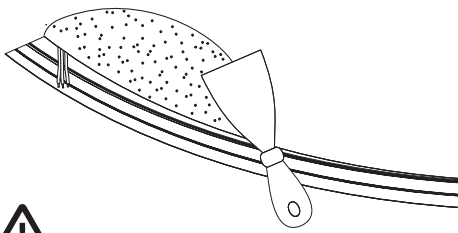

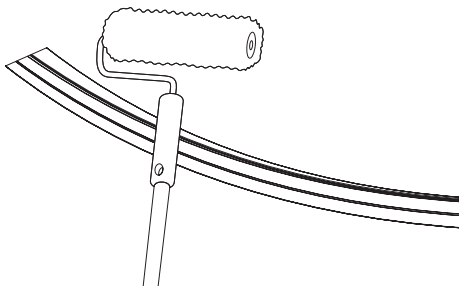
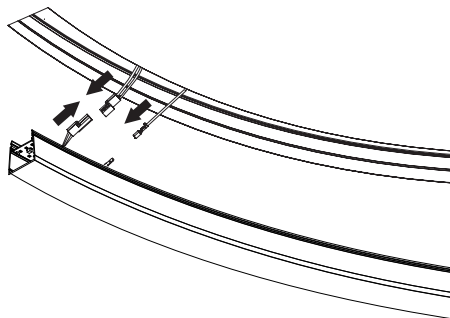
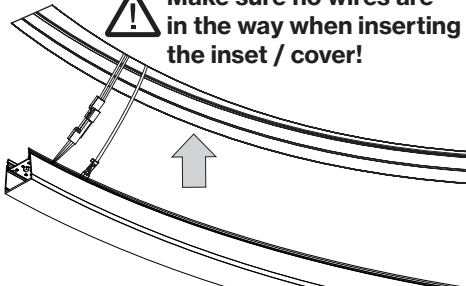

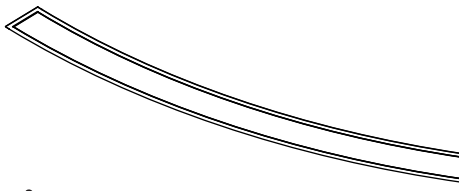

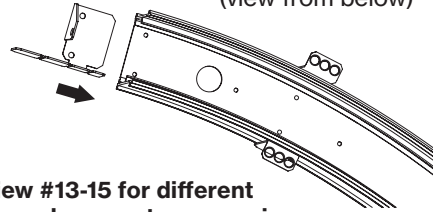
CURVE MOUNTING POINT DIMENSIONS

ON-CENTER RADIUS (R)	DEGREES	FEED	A	B	C	D	E	F
18"	90°	5 3/8"	1/4"	2 13/16"	5 1/4"	12 3/4"	15 3/16"	17 3/4"
24"	90°	2 3/8"	7/16"	4 11/16"	7"	17"	19 5/16"	23 9/16"
30"	45°	2 5/8"	9/16"	5 7/8"	2 5/16"	11 1/2"	5 1/16"	16 11/16"
30"	90°	2 15/16"	9/16"	5 7/8"	8 7/8"	21 3/16"	24 1/8"	29 7/16"
36"	45°	5 13/16"	1/8"	2 13/16"	2 3/4"	13 3/4"	8 5/8"	23 3/8"
36"	90°	4 1/16"	11/16"	7"	10 9/16"	25 7/16"	29"	35 5/16"
48"	45°	2 3/8"	1/4"	4 11/16"	3 5/8"	18 3/8"	10 7/8"	30 7/16"
48"	90°	2 3/8"	1/4"	4 11/16"	14 1/16"	33 15/16"	43 5/16"	47 3/4"
60"	22.5°	2 15/16"	1/4"	5 7/8"	1 1/8"	11 11/16"	2 9/16"	17 7/16"
60"	45°	2 15/16"	5/16"	5 7/8"	4 9/16"	22 15/16"	13 5/8"	38 1/16"
60"	90°	2 15/16"	5/16"	5 7/8"	17 9/16"	42 7/16"	54 1/8"	59 11/16"
120"	22.5°	2 15/16"	1/8"	5 7/8"	2 5/16"	23 7/16"	7"	40 7/16"
120"	45°	2 15/16"	1/8"	5 7/8"	9 1/8"	45 15/16"	31 1/16"	80 9/16"

CURVE 2.5 recessed



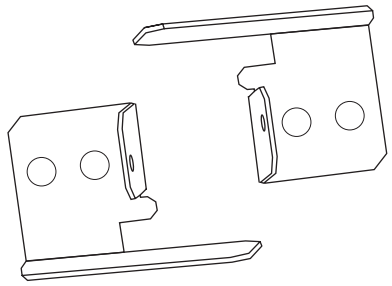
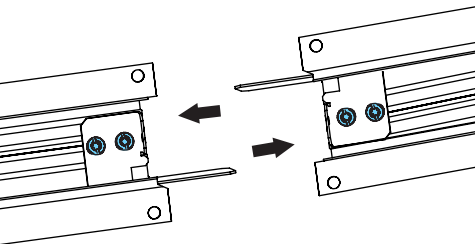
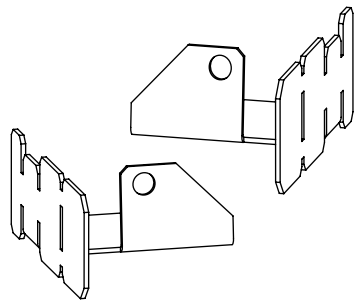
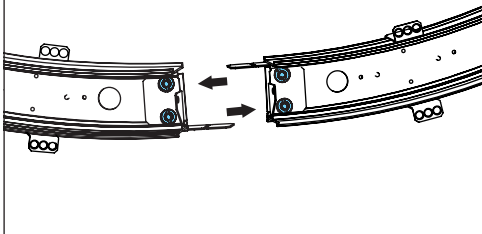
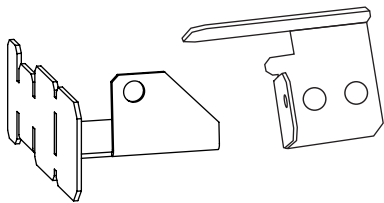
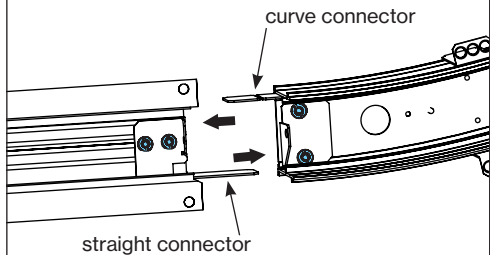
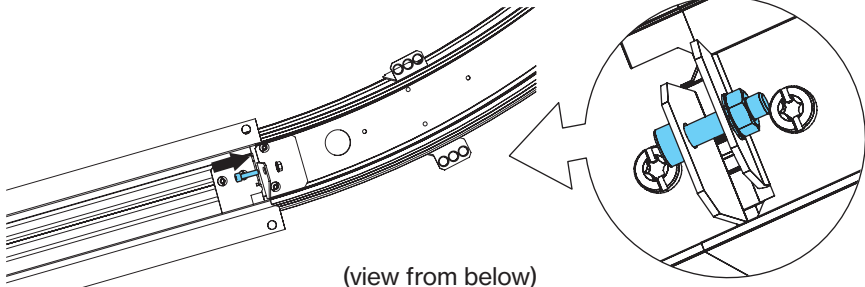
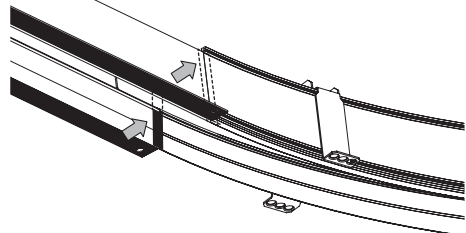
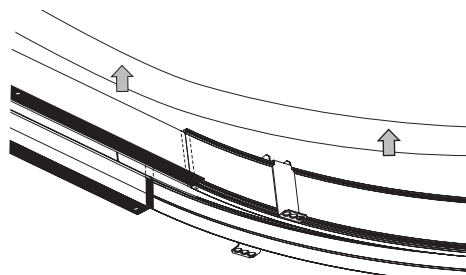
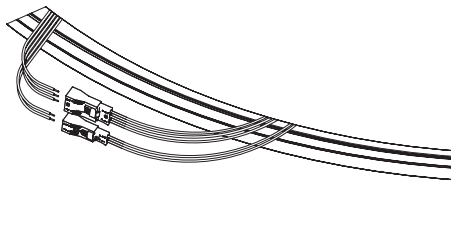
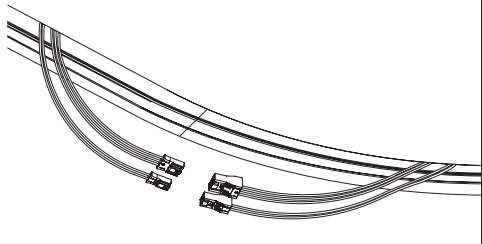
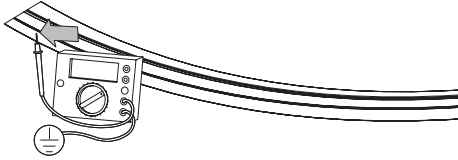

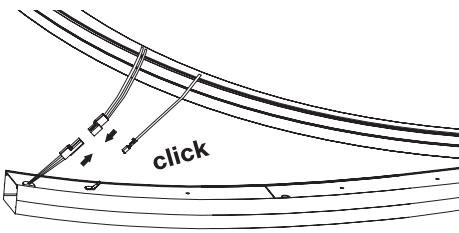
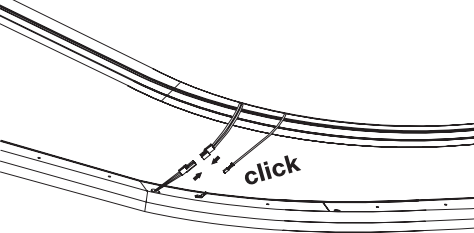
MOUNTING INSTRUCTIONS

<p>Turn OFF power source before installation</p>  	<p>1. Remove inset/lens from channel</p> 	<p>2. Place channel in desired position on ceiling and mark or score the fixture position</p> 
<p>3. Cut out hole in ceiling</p>  <p>WARNING: Please note it's not recommended to make a ceiling cutout in the absence of the light fixture or a template</p>	<p>4. Thread conduit through top of channel (conduit supplied by others)</p> 	<p>5. Insert channel to blocks through drywall</p> 
<p>5. Use spacer block to maintain channel width</p> 	<p>6. Secure the spacer blocks to the channel</p> 	<p>7. Apply drywall mesh tape between the channel and the drywall. Repeat for each additional channel</p> 
<p>8. Cover gaps and flange with spackle</p>  	<p>9. Once dry, paint over spackle</p> 	<p>10. Make connections</p> 
<p>11. Insert inset into channel</p> <p>Make sure no wires are in the way when inserting the inset / cover!</p>  	<p>12. Cover should be flush with channel. Installation complete</p>   <p>Should hear "click" once secure.</p>	<p>13. SYSTEMS: Slide connectors into channels</p> <p>(view from below)</p>  <p>*View #13-15 for different channel connector scenarios</p>

CURVE 2.5 recessed

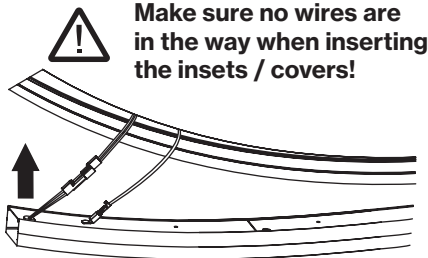


MOUNTING INSTRUCTIONS

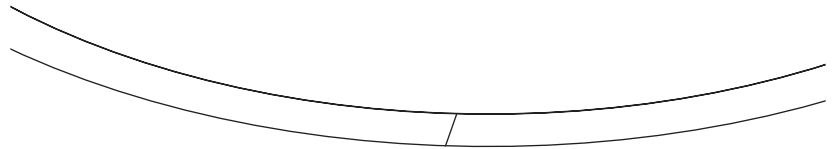
<p>14. Connection Type: Straight <> Straight</p> 	<p>14a. SYSTEMS: Use screws to secure connectors to channels</p> 	<p>15. Connection Type: Curve <> Curve</p> 
<p>15a. SYSTEMS: Use screws to secure connectors to channels</p> 	<p>16. Connection Type: Straight <> Curve</p> 	<p>16a. Connection Type: Straight <> Curve</p>  <p>curve connector</p> <p>straight connector</p>
<p>17. SYSTEMS: Use screw and nut to secure connectors to channels</p>  <p>(view from below)</p>		<p>18. SYSTEMS: Apply aluminum tape to the interior of the channels (where channels meet)</p> 
<p>19. SYSTEMS: Insert channels into cutout hole</p> 	<p>20. SYSTEMS: Establish connection between segments. Repeat steps for multiple channels</p> 	<p>21. SYSTEMS: Establish connection between segments. Repeat steps for multiple channels</p> 
<p>22. Testing the current</p>  <p> Max. 0.5 Ohm resistance</p>	<p>23. SYSTEMS: Connect inset(s) wiring, grounding clip and fall protection to channel(s)</p>  <p>click</p>	<p>24. SYSTEMS: Make connection between segments</p>  <p>click</p>

MOUNTING INSTRUCTIONS

25. **SYSTEMS:** Insert insets / covers into channels

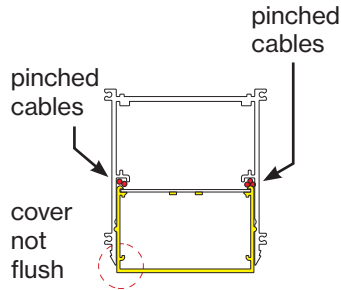


26. **SYSTEMS:** Installation complete



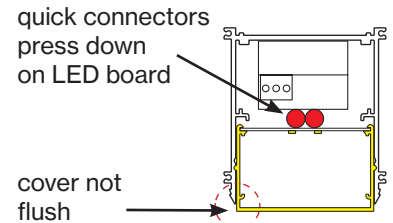
IMPORTANT: Cover must sit flush. If cover does not sit flush and is not fully engaged, it might fall. Due to changes in temperature, the acrylic can slightly shrink and expand. As long as they are installed correctly, the lighting fixtures are designed to accommodate those physical changes.

WRONG

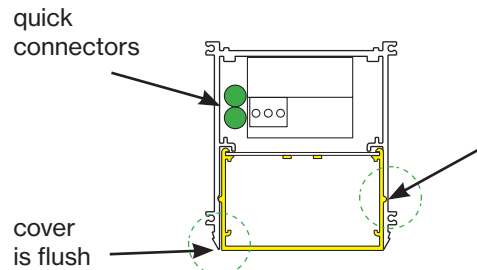


IMPORTANT: Quick connectors must be tucked in between drivers and open space in the fixture. Make sure quick connectors don't rest on the LED board.

WRONG



RIGHT



Cover must be fully engaged. You will feel a physical feedback and hear a “click” noise to confirm that the cover is engaged.

After Sales Service Hotline

Call the XAL After Sales Hotline from Monday to Friday, 8 AM - 4:30 PM (EST)

Hotline:
+1 203 262 9990

Or 24/7 via email:
service@xalusa.com

EN Installation, commissioning and maintenance may only be performed by authorized and qualified personnel, taking into consideration these installation instructions and any standards and regulations applicable to the respective area of application. The electrical, mechanical and thermal suitability of the luminaire for the intended area of application must be ensured and the secure fastening of the luminaire after its installation must be controlled. Turn off supply voltage before replacing any lamps (if applicable) as well as before performing any other works on the luminaire (e.g. cleaning) and wait until luminaire and lamp have completely cooled off. Please refer to the installation notes of the lamp manufacturer when inserting, replacing and operating conventional lamps. Use a soft, damp cloth to clean the luminaire. To clean plastic components and reflectors, a standard pH neutral, alcohol-free, non-abrasive cleaning agent may also be used. Keep these installation instructions in a safe place as reference for any future maintenance works.

1. The lamp is not suitable for outdoor use.
2. The lamp may only be used with a safety guard.
3. Damaged protection glasses and covers have to be replaced immediately.
4. Corrosive chemical products must not be used as this may have a detrimental effect on the luminaire.
5. No liability is accepted for any subsequent change of the luminaire.
6. LEDs are high-quality electronic components! Please avoid touching by hand the LED light emitting surface while assembling or replacing parts and during maintenance work.
7. To avoid damage of the profile, unevenness on the wall or ceiling must be leveled out before assembling the profiles. While assembling the profiles, make sure they do not deform in order to guarantee their proper function.
8. The light source contained in this luminaire shall only be replaced by the manufacturer or his service agent or a similar qualified person.
9. The LED circuit must always be closed, before the converter is connected to the main power. XAL does not assume any liability for damages resulting from nonobservance of this rule.
10. Luminous flux and connected electrical load are subject to an initial tolerance of up to +/- 10%. Color temperature is subject to a tolerance of up to +/- 150 Kelvin from the nominal value.

FR Le montage et la maintenance peut être effectué par spécialistes respectant les normes y régies valides. Assurer l'aptitude thermique, mécanique et électrique pour l'emploi prévue et assurer la fixation de la luminaire. Éteindre la tension avant de changer les lampes (si applicable) ou avant de réaliser travaux (p.ex nettoyage) à la luminaire. Attendre jusqu'à ce que la luminaire et les lampes ont fraîchit complètement. Merci de bien vouloir vous référer aux notes d'installation du fabricant de la lampe lors de l'insertion, le remplacement et la mise en route, avec des lampes conventionnelles. Pour nettoyer la luminaire utiliser un drap humide et doux. Pour nettoyer les parties du plastique ou les réflecteurs on peut utiliser encore un produit de nettoyage sans alcool qui ne fraye pas le matériel. Garder cette notice de montage pour possibles travaux de maintenance.

1. La luminaire n'est pas apte pour l'utilisation extérieure.
2. Utiliser la luminaire seulement avec un dispositif de sécurité
3. Changer immédiatement des verres de sécurité defectes ou bien des écrans de protection.
4. Evitez tout contact de la lampe avec de produits chimiques corrosifs.
5. Nous déclinons toute responsabilité en cas de modifications ultérieures.
6. Des LEDs sont des composants électroniques de haute qualité! Eviter tout contact direct de la surface de sortie de lumière de la LED avec les mains lors du montage ou des les travaux de maintenance de la lampe.
7. Pour éviter l'endommagement du profil, il est nécessaire de compenser les irrégularités du mur ou du plafond avant le montage des profils. Pour garantir un fonctionnement irréprochable des profils, il ne faut pas déformer les profils lors du montage.
8. La source du luminaire peut être remplacé uniquement par le fabricant ou un tiers habilité.
9. Il faut que le circuit de LED soit fermé avant de connecter le convertisseur. XAL ne assume pas la garantie si cette norme ne se respecte pas.
10. La puissance et le flux lumineux affichent d'origine une tolérance de +/-10 %. Tolérance de la couleur de température : +/- 150 Kelvin.