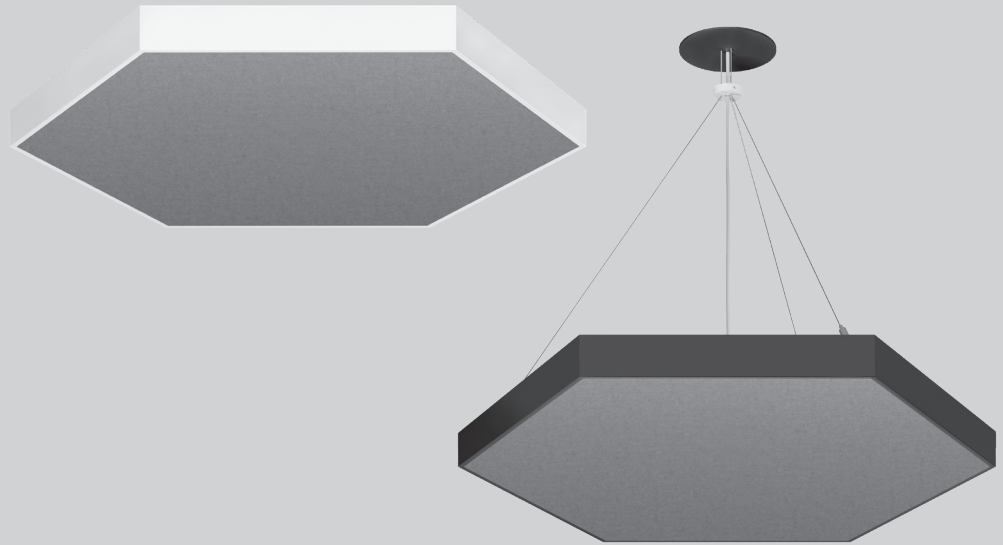


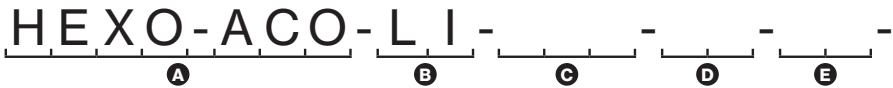
HEXO EVO ACOUSTIC



Features

- Seamlessly welded fixture housing made of aluminum
- Powder coated white, gray or black
- Acoustic lay-in cover

Physical attributes



Dimensional attributes



Physical attributes

A RANGE

HEXO Acoustic H E X O - A C O

E COLOR ACOUSTIC

white	W H
light gray	L G
anthracite gray	D G

B SUB CATEGORY

lay-in acoustic L I

C MOUNTING

surface mount	S U R
pendant	P D T

Dimensional attributes

F DIAMETER IN FT

1 1/2'	D M - 1 . 5 F T
2'	D M - 2 F T
3'	D M - 3 F T

D COLOR HOUSING

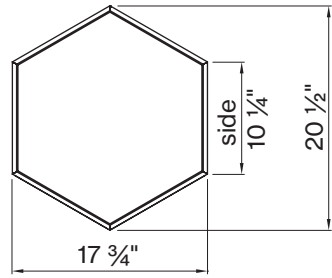
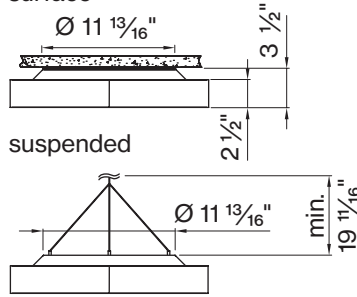
white	W H
black	B L
gray	G R

Accessory

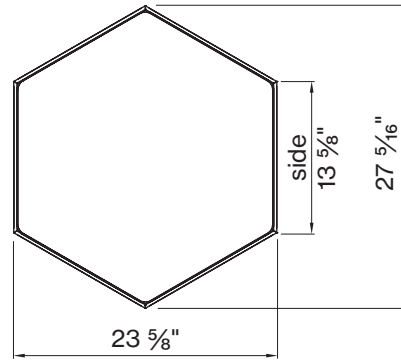
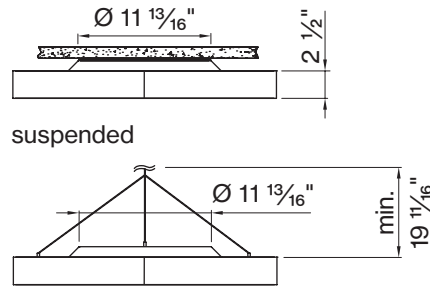
SUSPENSION SET < 36 INCH

3-piece barrel mount set 698-098-05140

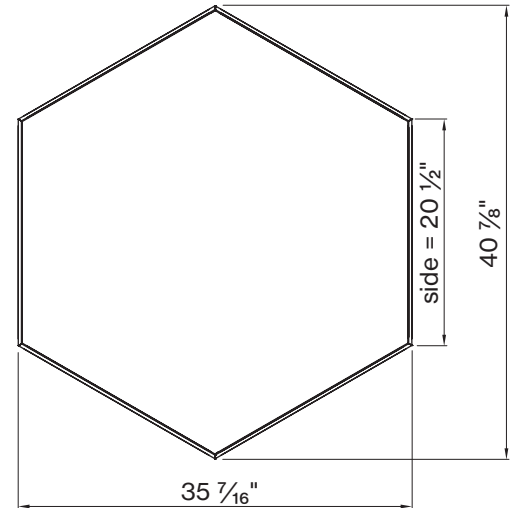
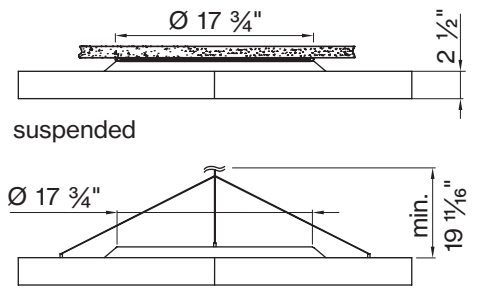
HEXO EVO 1 1/2'
surface



HEXO EVO 2'
surface



HEXO EVO 3'
surface

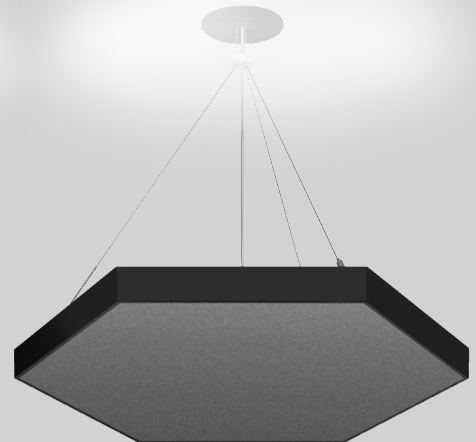
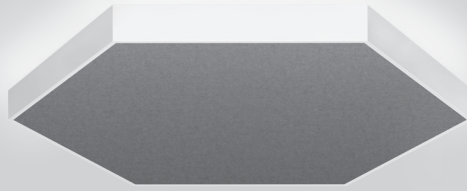


FIXTURE DIMENSIONS

NOMINAL	DIMENSIONS	CODE
1 1/2'	17 3/4" / h 2 1/2"	DM - 1 . 5 FT
2'	23 5/8" / h 2 1/2"	DM - 2 FT
3'	35 7/16" / h 2 1/2"	DM - 3 FT

HEXO EVO

ACOUSTIC INDIRECT



Features

Seamlessly welded fixture housing
made of aluminum
Powder coated white, gray or black
Up to 125lm/W
27K, 30K, 35K, 40K
CRI > 80 or CRI > 90
Passive cooling
30K L70 50,000h
35K / 40K L91 50,000h
Opal lay-in cover for uniform illumination

Physical attributes



Electrical attributes



Dimensional attributes



Physical attributes

A RANGE	HEXO EVO	HEXO - A / I
----------------	----------	--------------

B SUB CATEGORY	lay-in acoustic	L I
-----------------------	-----------------	-----

C MOUNTING	surface mount	SUR
	pendant	PDT

D COLOR HOUSING	white	WH
	black	BL
	gray	GR

E COLOR ACOUSTIC	white	WH
	light gray	LG
	anthracite gray	GR

F CCT	3000K	30K
	3500K	35K
	4000K	40K

G CRI	CRI > 80	C80
	CRI > 90	C90

Electrical attributes

H VOLTAGE	Universal 120 / 277	UNV
	347V (only 0-10V dim)	347

I DIMMING	0-10V 1%	010V
	DALI	DALI
	Lutron EcoSystem	LES1
	Quantum, Vive, GRAFIKEye, HomeWorks	

J OUTPUT LM	Ø 1½'	790lm	02900L
		1090lm	04100L
	Ø 2'	960lm	04000L
		1310lm	05400L
		1330lm*	06500L
	Ø 3'	1780lm	06800L
		1780lm	07800L
		2080lm	10100L
		2910lm	13800L

item code matches with coordinating HEXO EVO Direct/Indirect fixture

*only 0-10V and DALI dimming available

K CIRCUIT / EM	single circuit	*
	*leave blank	

Dimensional attributes

L DIAMETER IN FT	Ø 1½'	DM - 1.5 FT
	Ø 2'	DM - 2 FT
	Ø 3'	DM - 3 FT

Technical data

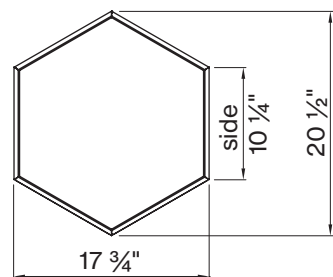
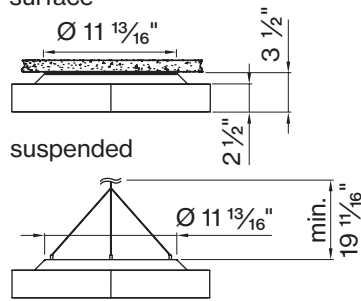
SIZE TYPE	LED COLOR TEMPERATURE	LIGHT DISTRIBUTION	DELIVERED LM INDIRECT	OPTICAL EFFICIENCY	LUMINAIRE EFFICACY
○ 1½' gray	30K, 35K	100% up	780lm	86%	102lm/W
	40K		810lm		107lm/W
	30K, 35K	100% up	1090lm		87lm/W
	40K		1130lm		91lm/W
○ 2' gray	30K, 35K	100% up	960lm	86%	114lm/W
	40K		1000lm		118lm/W
	30K, 35K	100% up	1310lm		107lm/W
	40K		1360lm		111lm/W
	30K, 35K	100% up	1330lm		100lm/W
○ 3' gray	40K		1380lm	104lm/W	
	30K, 35K	100% up	1780lm	86%	119lm/W
	40K		1850lm		124lm/W
	30K, 35K	100% up	1780lm		117lm/W
	40K		1850lm		121lm/W
	30K, 35K	100% up	2080lm		111lm/W
	40K		2170lm		115lm/W
	30K, 35K	100% up	2800lm		102lm/W
	40K		2910lm		106lm/W

Accessory

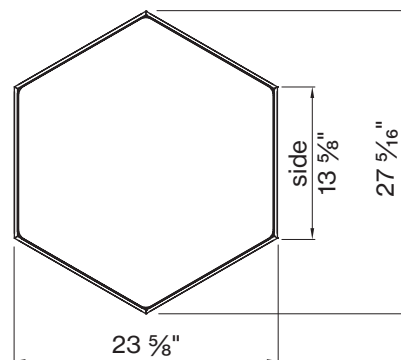
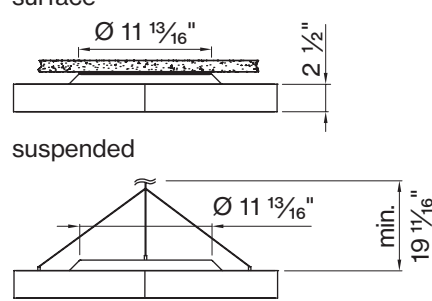
SUSPENSION SET < 36 INCH

3-piece barrel mount set 6 9 8 - 0 9 8 - 0 5 1 4 0

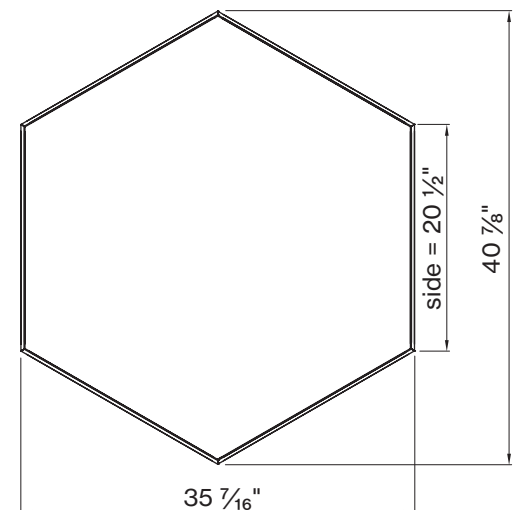
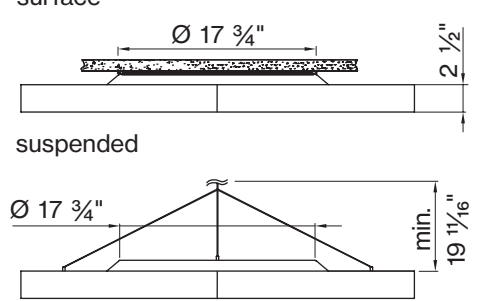
HEXO EVO 1½'
surface



HEXO EVO 2'
surface



HEXO EVO 3'
surface



FIXTURE DIMENSIONS

NOMINAL	DIMENSIONS	CODE
○ 1½'	○ 17 ¾" / h 2 ½"	DM - 1 . 5 F T
○ 2'	○ 23 ⅝" / h 2 ½"	DM - 2 F T
○ 3'	○ 35 ⅞" / h 2 ½"	DM - 3 F T