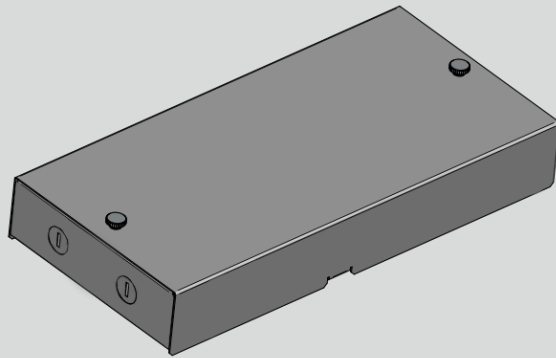


# MOVE IT SYSTEM

## 48 V POWER SUPPLY



### Power Supply

48V DC converter box / 120 / 277 VAC

#### 0-10V DIM Single Control

TYPE	0-10V DIM CODE
60W	N 8 0 5 6 2 1 3 3 <b>LD</b>
<b>CS</b> 100W	N 8 0 5 6 0 1 0 5 <b>LD</b>
150W	N 8 0 5 6 0 1 0 6 <b>LD</b>
185W	N 8 0 5 6 0 1 8 7 <b>LD</b>
<b>CS</b> 260W	N 8 0 5 6 0 2 6 0 <b>LD</b>
320W	N 8 0 5 6 0 3 2 0 <b>LD</b>

#### Lutron EcoSystem

TYPE	LUTRON ECOSYSTEM CODE
60W	N 8 0 5 6 2 1 3 3 <b>LDL</b>
100W	N 8 0 5 6 0 1 0 5 <b>LDL</b>
150W	N 8 0 5 6 0 1 0 6 <b>LDL</b>
185W	N 8 0 5 6 0 1 8 7 <b>LDL</b>
260W	N 8 0 5 6 0 2 6 0 <b>LDL</b>
320W	N 8 0 5 6 0 3 2 0 <b>LDL</b>

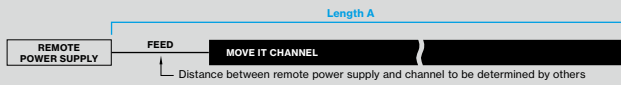
### PERFORMANCE

- 0-10 V DIM Single Control
- 0-10 V Dual Control
- Lutron EcoSystem
- Up to 320 W power supply

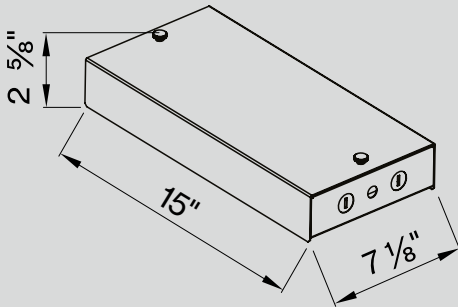
#### 0-10V DIM Dual Control

TYPE	0-10V DIM CODE
60W	N 8 0 5 6 2 1 3 3 <b>DC</b>
100W	N 8 0 5 6 0 1 0 5 <b>DC</b>
150W	N 8 0 5 6 0 1 0 6 <b>DC</b>
185W	N 8 0 5 6 0 1 8 7 <b>DC</b>
260W	N 8 0 5 6 0 2 6 0 <b>DC</b>
320W	N 8 0 5 6 0 3 2 0 <b>DC</b>

### POWER SUPPLY



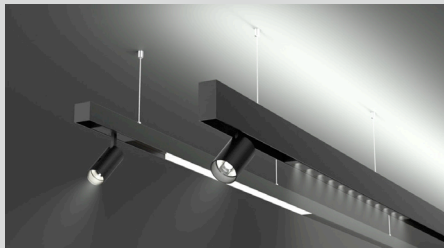
### REMOTE POWER SUPPLY DIMENSIONS



### DUAL CHANNEL DIMMING



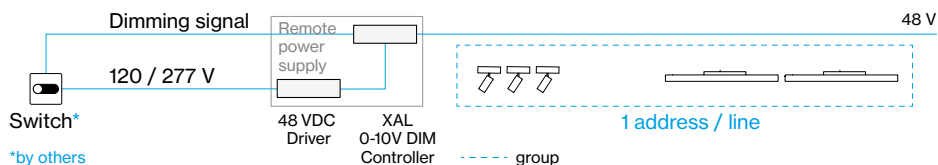
[link to video](#)



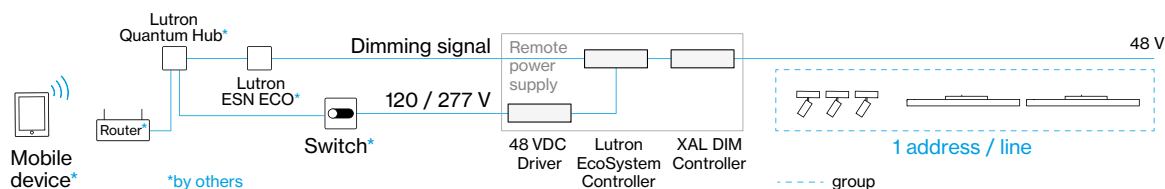
## Wiring diagrams

### 1. LINE CONTROL

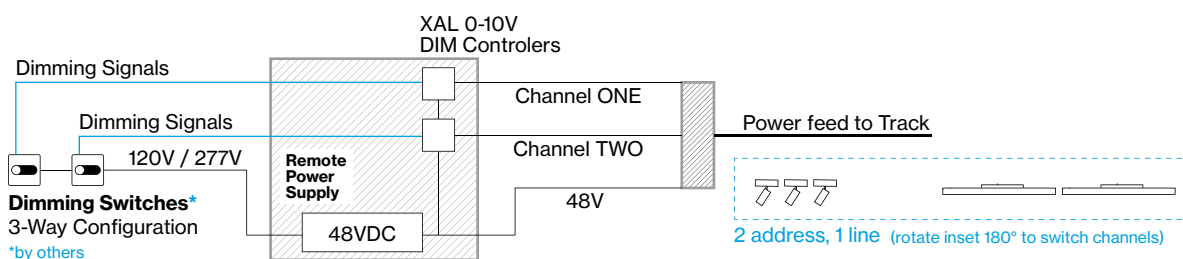
#### 0-10V DIM



Lutron 5% EcoSystem  
Quantum, Vive, GRAFIK Eye,  
HomeWorks



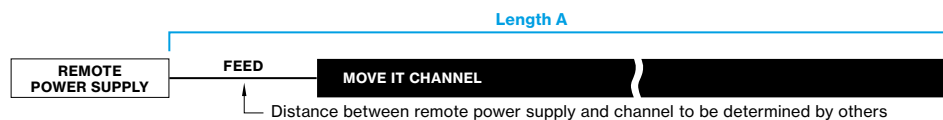
#### 0-10V DIM Dual Channel



## Length range per power supply

POWER SUPPLY	60 W	100 W	150 W	185 W	260 W	320 W
Length A	225'	150'	100'	80'	60'	50'

Due to voltage drop and to fulfill EMC requirements, total fixture power [W] must be between 60 and 95% of the power supply's capacity. Calculations at max. capacity of power supply using 14 AWG.



### MOVE IT System mounting instructions

Get access to the MOVE IT System mounting instructions faster by scanning the QR code.



<https://www.xalusa.com/resources/mounting-instructions/move-it-system>