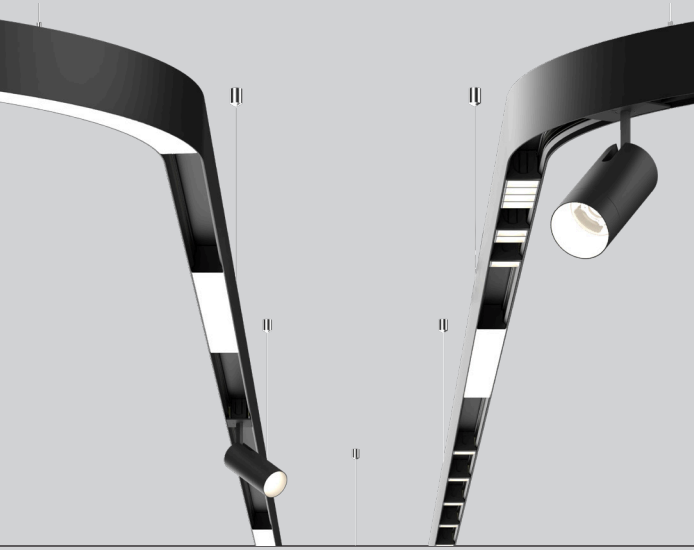


R-LINE

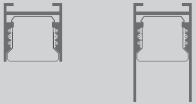
TRACK WITH UPLIGHT



5 YEAR
limited
led warranty



CHANNEL



R1

R2

PERFORMANCE

- Modular 48V track system
- Combine linear, curve, and track
- Patented technology for curved track

CONFIGURATIONS



Linear

Corner

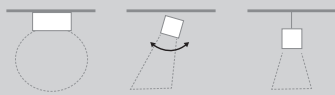
Curve

MOUNTING



Indirect
Suspended

INSET OPTIONS



Opal

Spotlight

Decorative

Catalog Number Example

RLTR-R1-PDT-BLWH-27K-C90-BW-48V-010V-2C-700LF-8W-LS-M90-02-B1

A PRODUCT

R1 Track 1" track	R L T R-R 1
R2 Track 2" track	R L T R-R 2

B MOUNTING

Pendant Cable	P D T
Pendant Stem available Q4 2024	S T M
Custom Mount	X X X

custom mount, please contact XAL

C HOUSING COLOR

Black RAL9005	B L _ _
White RAL9016	W H _ _
Custom RAL	X X _ _

custom RAL, please contact XAL

PENDANT HARDWARE COLOR

sub option

Black	_ _ B L
White	_ _ W H

power feed, stem & canopy cover only; AC cable & barrel mount come in silver

D UPLIGHT CCT/CRI

2700K / CRI >90	2 7 K - C 9 0
3000K / CRI >90	3 0 K - C 9 0
3500K / CRI >90	3 5 K - C 9 0

E UPLIGHT LENS

Opal	O P
Batwing	B W

VOLTAGE

48V low constant voltage	4 8 V
--------------------------	-------

remote driver required (see driver cutsheet)

F DIMMING

0-10V 1% dimming	0 1 0 V
------------------	---------

G CIRCUIT

2 Circuit (1) circuit track, (1) circuit uplight	2 C
3 Circuit (2) circuit track, (1) circuit uplight	3 C

uplight is always on separate circuits

H UPLIGHT OUTPUT

350 lm/ft. 4W/ft.	3 5 0 L F - 4 W
700 lm/ft. 8W/ft.	7 0 0 L F - 8 W

I SHAPE/PATTERN

Linear	S T
L-Shape (90°)	L S
□-Shape rectangular shape (90°)	R S
U-Shape (90°)	U S
Z-Shape (90°)	Z S
Custom Pattern	C P

custom angles and patterns, please contact XAL

J CORNERS

No Corners	*
Mitered 90°	M 9 0
Curved Radius 18"/90°	R 1 8
Curved Radius 24"/90°	R 2 4
Curved Radius 36"/90°	R 3 6

custom radius and angles, please contact XAL
*leave empty

K DIMENSIONS 1" increments only

2' 0" min. length	0 2
4' 0"	0 4
6' 0"	0 6
8' 0"	0 8
Shape / Pattern	X X
Custom	X X

custom pattern, please contact XAL

Optional Accessories

ships separately

L BLIND COVERS

Blind Cover 1" flush with R1 track	B 1
Blind Cover 2" available Q4 2024	B 2

includes field cuttable blind cover (end to end)

Other Options

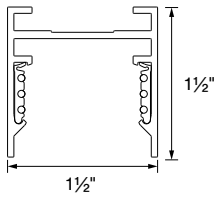
+ TRACK WITHOUT UPLIGHT

see R-Line Track cutsheet

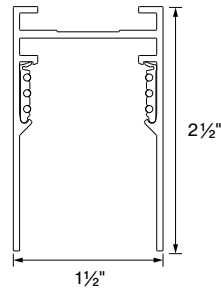
xalusa.com

DIMENSIONS

R1

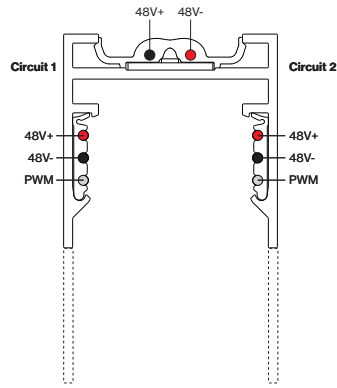


R2

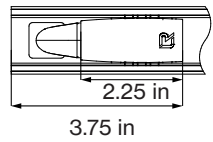


POWER TRACK CIRCUITRY

R1/R2 (Uplight)

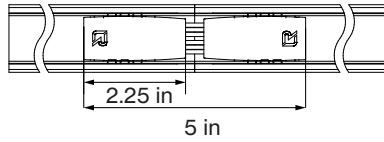


POWER FEED



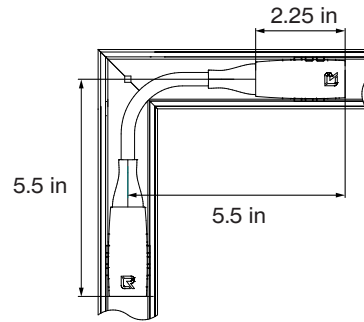
Insets cannot be placed on top of power feeds and electrical connectors.

ELECTRICAL CONNECTOR



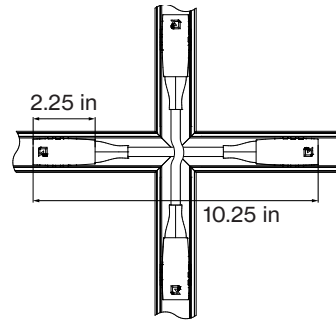
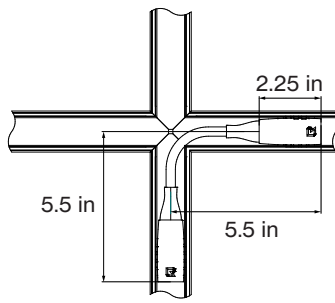
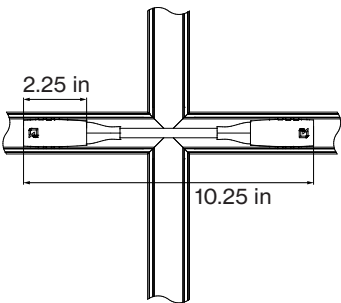
ELECTRICAL CONNECTOR

L-CONFIGURATION



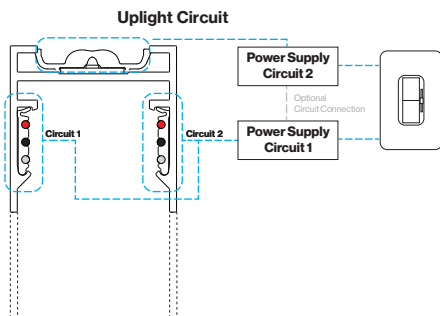
ELECTRICAL CONNECTOR

X-CONFIGURATION

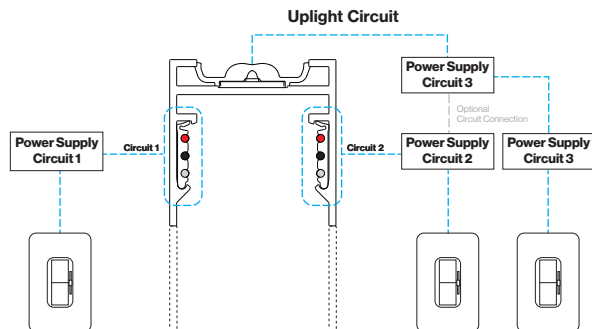


CIRCUIT DIAGRAM

Single Circuit with Uplight (With options to control together)

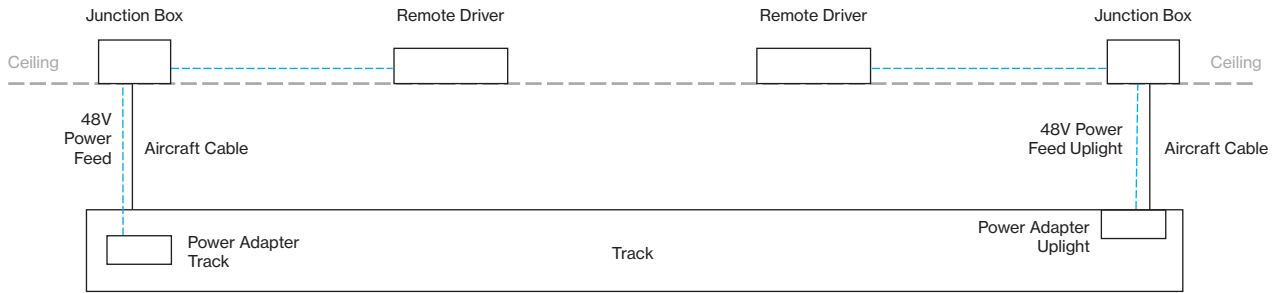


Two Circuit w/ Uplight



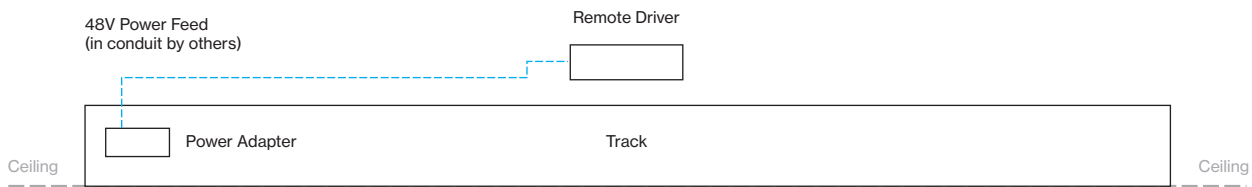
SYSTEM COMPONENTS (SIDE VIEW)

R1/R2 PDT W/ UPLIGHT

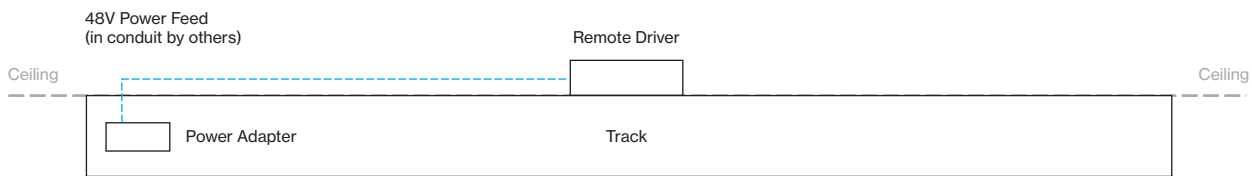


TRACK DIAGRAM (SIDE VIEW)

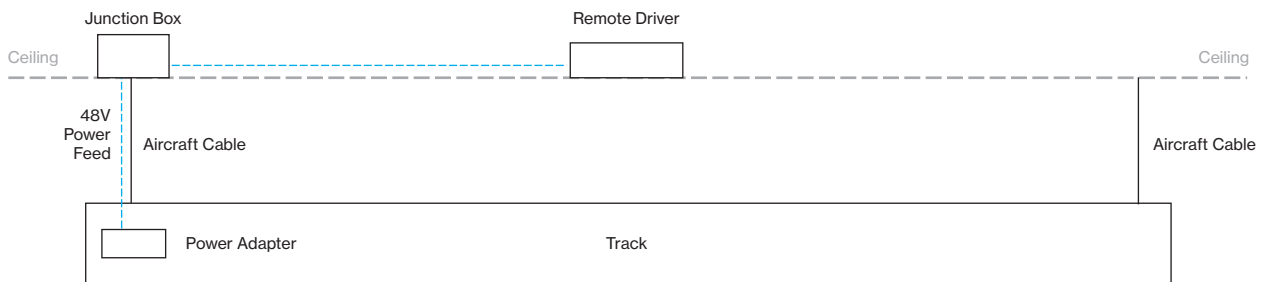
R1/R2 RTL



R1/R2 SUR



R1/R2 PDT



R3 PDT

