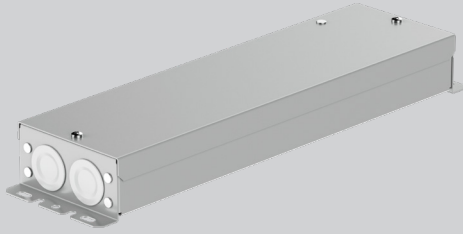


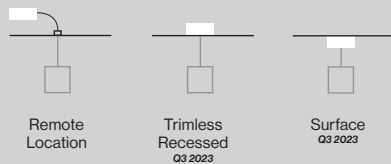
# R-LINE POWER SUPPLY



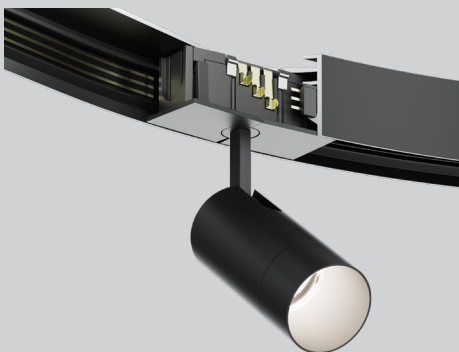
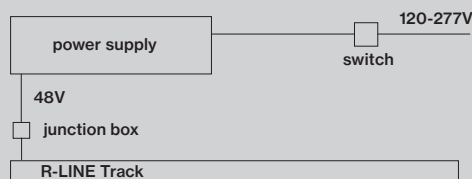
## PERFORMANCE

- Proprietary 48V driver with 1% dimming technology
- UL rated enclosure
- Short circuit protection
- Various mounting options (*available Q3 2023*)

## MOUNTING



## REMOTE DRIVER



## Catalog Number Example

RLPS-REM-BL-TR-1C-UNV-48V-100W-010V

## Attributes

<p><b>A SYSTEM</b></p> <p>R-LINE _____ R L P S</p>	<p><b>F INPUT VOLTAGE</b></p> <p>120 - 277V _____ UNV</p>
<p><b>B MOUNTING</b></p> <p>Remote Box _____ R E M</p> <p>Mud-in Box available Q3 2023 _____ R T L</p> <p>Surface Mtd. Box available Q3 2023 _____ S U R</p>	<p><b>G OUTPUT VOLTAGE</b></p> <p>48V low constant voltage _____ 4 8 V</p> <p>3 pole connection 48V+ / 48V- / PVM</p>
<p><b>C HOUSING COLOR</b></p> <p>Raw _____</p> <p>Black surface mount only _____ B L</p> <p>White surface mount only _____ W H</p> <p>remote box &amp; mud-in only available in raw</p>	<p><b>H CAPACITY</b></p> <p>60W _____ 0 6 0 W</p> <p>100W _____ 1 0 0 W</p> <p>150W _____ 1 5 0 W</p> <p>185W _____ 1 8 5 W</p> <p>260W _____ 2 6 0 W</p>
<p><b>D TYPE</b></p> <p>Track _____ T R</p> <p>Integrated Uplight (100W max) _____ U P</p> <p>track &amp; uplight cannot be powered combined</p>	<p><b>I DIMMING</b></p> <p>No Dimming _____ N O D</p> <p>0-10V logarithmic, 1% dimming _____ 0 1 0 V</p> <p>0-10V logarithmic, dim-to-off - available Q3 2023 _____ D 1 0 V</p> <p>for 0-10V linear dimming curve contact XAL</p>
<p><b>E CIRCUIT</b></p> <p>1 Circuit _____ 1 C</p> <p>each track circuit needs its own driver</p>	<p><b>J CCEA</b> available Q3 2023</p> <p>CCEA Rated (Chicago Plenum) _____ C P</p> <p>remote box &amp; mud-in only</p>



**5 YEAR**  
limited  
led warranty

**DIMENSIONS**

