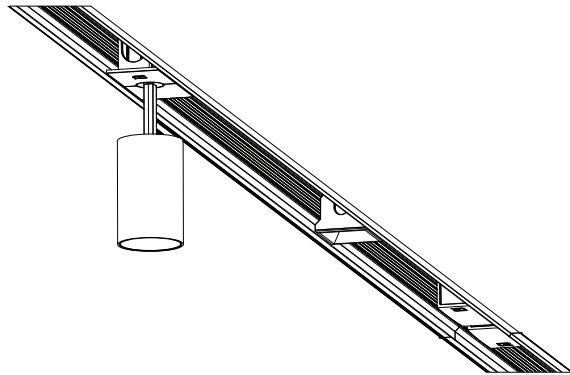


DO NOT DISCARD!



Technical Support Hotline

The XAL Technical Support Hotline is available from Monday to Friday, 8 AM - 6 PM (EST)

Hotline:
+1 203 262 9990

Email:
service@xalusa.com

SIGN LEGEND



power off



attention



power on



use anti-static gloves



don't touch the LED

TOOLS REQUIRED (not included)



pencil



spackle knife



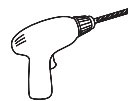
screwdriver



drywall saw



screws



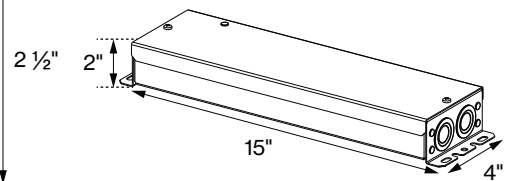
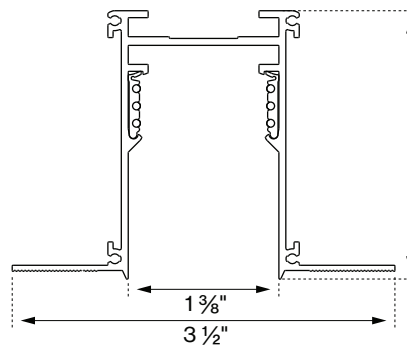
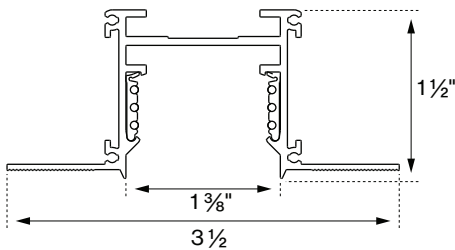
drill

Channel dimensions

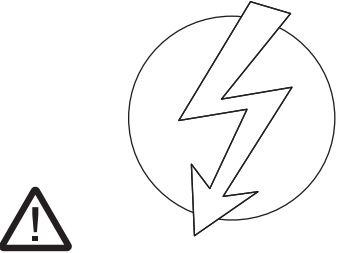
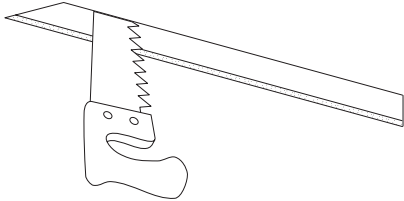

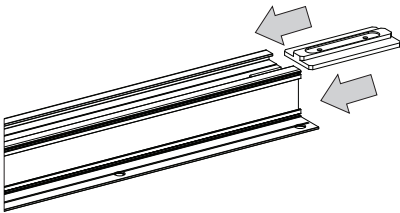
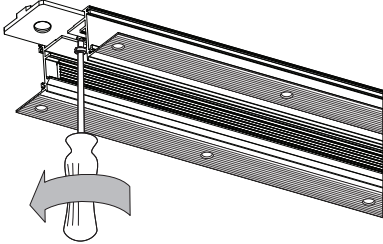
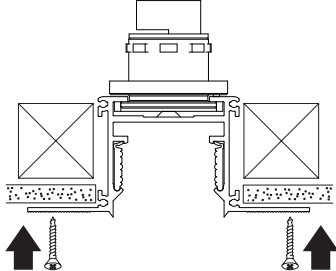
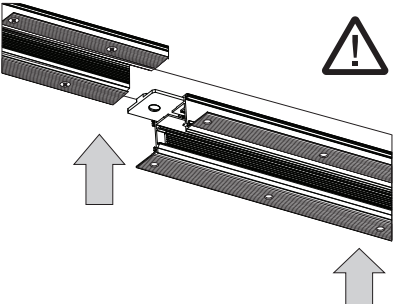
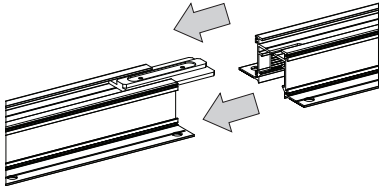
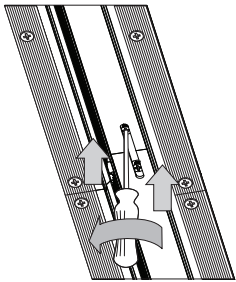
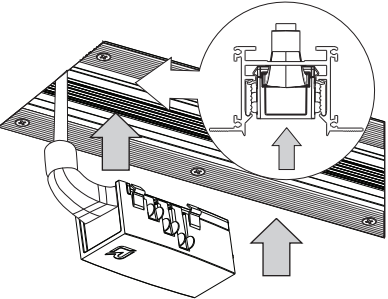
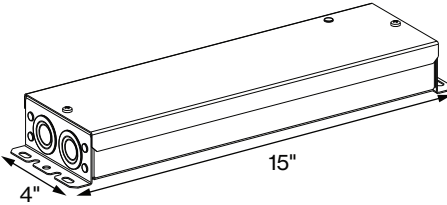
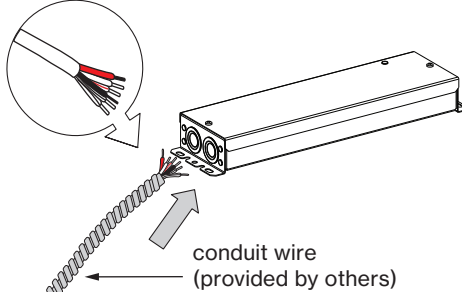

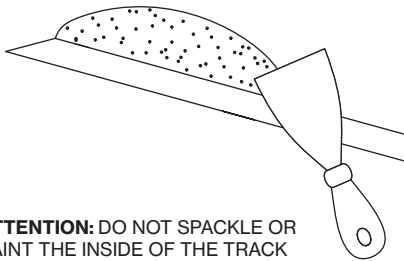
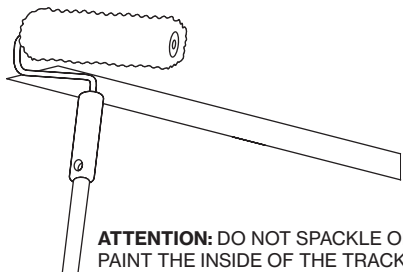
Power supply dimensions

R1 (RECESSED)

R2 (RECESSED)

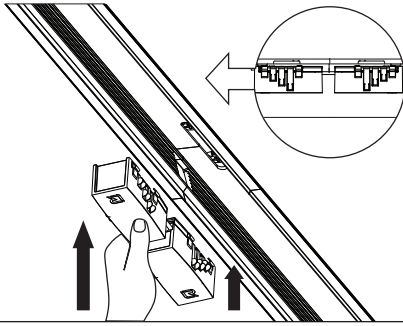


MOUNTING INSTRUCTIONS

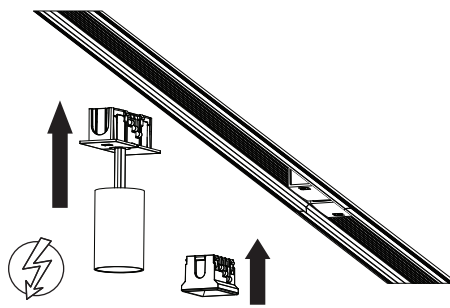
<p>Turn OFF power source before installation</p> 	<p>1. Cut out hole in ceiling. See page 1 for cutout dimension</p> 	<p>2. Insert blocking. If single track skip to step 5</p> 
<p>3. Install linear connector onto first track</p> 	<p>4. Screw the linear connector into the track</p> 	<p>5. Screw track(s) to blocks through drywall. If single track, skip to step 9</p> 
<p>6. Insert next track. Repeat step 5</p> 	<p>7. Slide the tracks together through the linear connector</p> 	<p>8. Use screws to secure connector again</p> 
<p>9. Insert feeder into track</p> 	<p>10. Install converter box (ceiling / utility room). See page 4 chart for max. distance</p> 	<p>11. Connect feeder to converter box</p> 
<p>Please see wiring diagram on page 4</p> 	<p>12. Cover gaps and flange with spackle</p>  <p>ATTENTION: DO NOT SPACKLE OR PAINT THE INSIDE OF THE TRACK</p>	<p>13. Once dry, paint over spackle</p>  <p>ATTENTION: DO NOT SPACKLE OR PAINT THE INSIDE OF THE TRACK</p>

MOUNTING INSTRUCTIONS

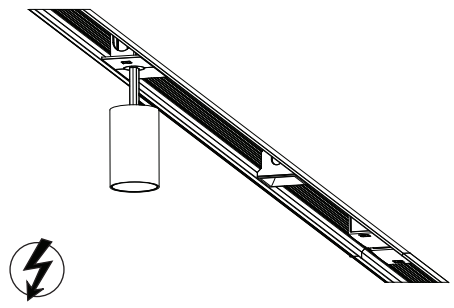
14. Snap track connector into track



15. Snap inset(s) into track(s)



16. Installation complete



Technical Support Hotline

The XAL Technical Support Hotline is available from Monday to Friday, 8 AM - 6 PM (EST)

Hotline: **+1 203 262 9990**

Email: **service@xalusa.com**