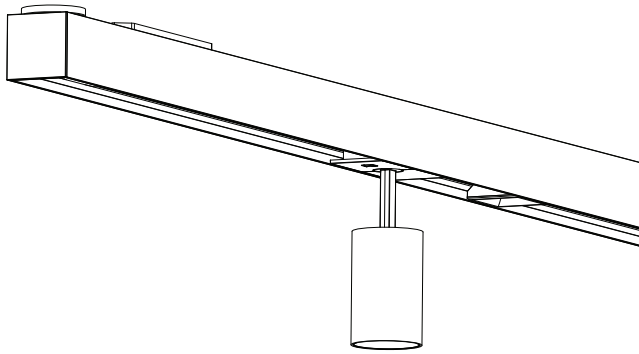


DO NOT DISCARD!



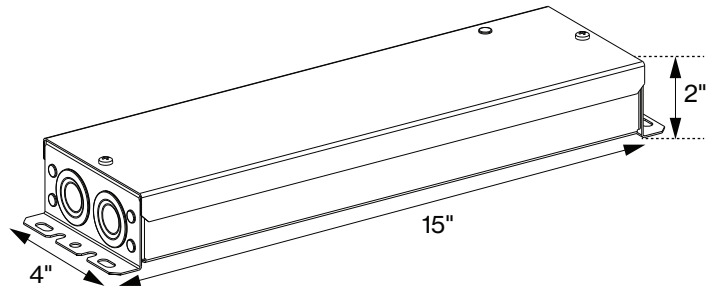
SIGN LEGEND

- power OFF
- power ON
- don't touch the LEDs
- attention
- use anti-static gloves

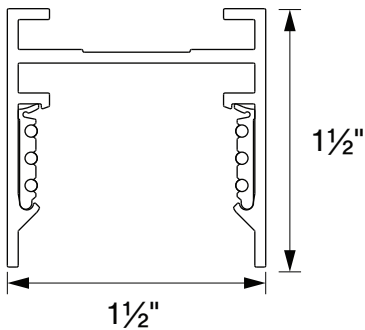
TOOLS REQUIRED (not included)

- pencil
- level
- screwdriver
- drill
- anti-static gloves

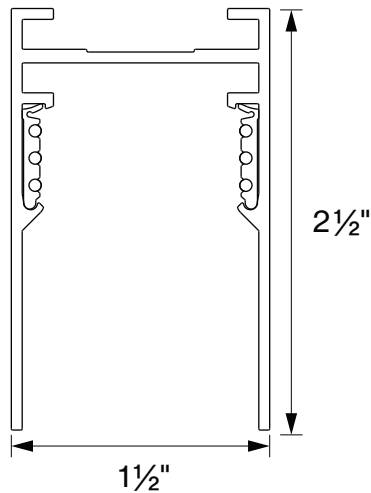
POWER SUPPLY DIMENSIONS




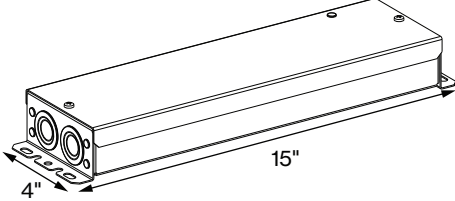
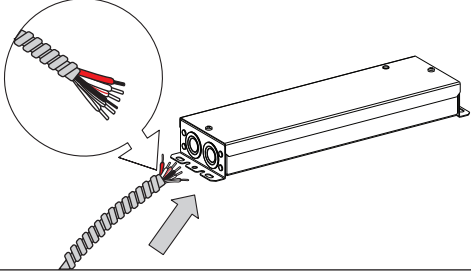
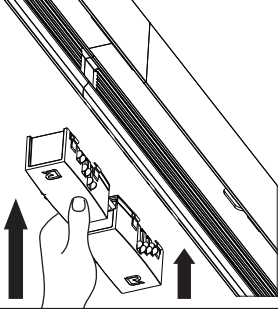
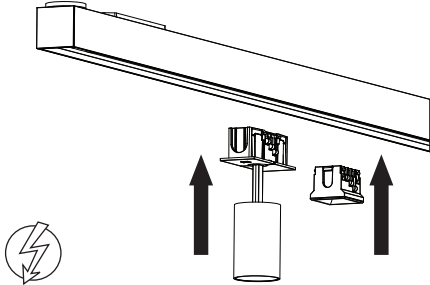
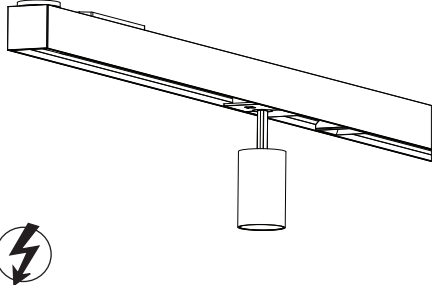
R-LINE SURFACE R1



R-LINE SURFACE R2

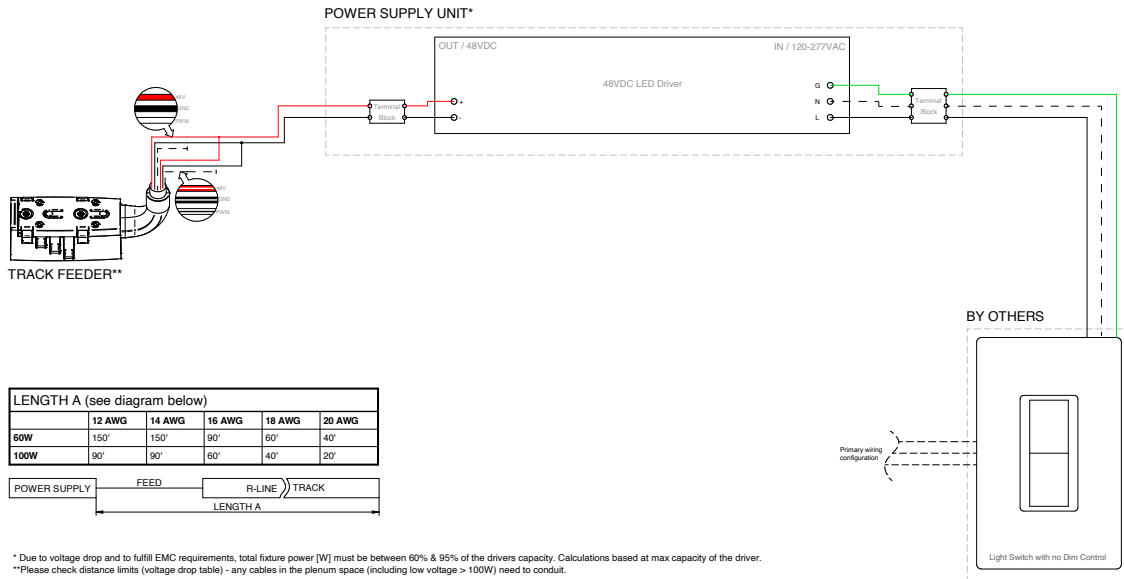


<p>Turn OFF power source before installation</p>	<p>1. Mark dimensions for mounting</p>	<p>2. Drill out holes for bracers and power feed</p>
<p>3. Insert anchors</p>	<p>4. Use wood screws and washers to secure brackets. (Repeat steps 1-4 for each individual channel)</p>	<p>5. Insert feeder through opening at the end of the track</p>
<p>6. Thread feeder through hole in ceiling</p> <p>conduit wire (provided by others)</p>	<p>7. Snap feeder clip into track</p>	<p>8. Secure the R-LINE plate to the track using set screws and allen wrench</p>
<p>9. Screw the track onto the bracket from underneath</p>	<p>10. Check the position of the screws as shown</p> <p>CORRECT</p> <p>INCORRECT</p>	<p>11. Insert linear connector(s)</p>
<p>12. Attach adjacent connector to the track</p>	<p>13. Use screws to secure connector from underneath</p>	<p>14. If not horizontally flush with the ceiling, use the right screw to level the track with the ceiling.</p>

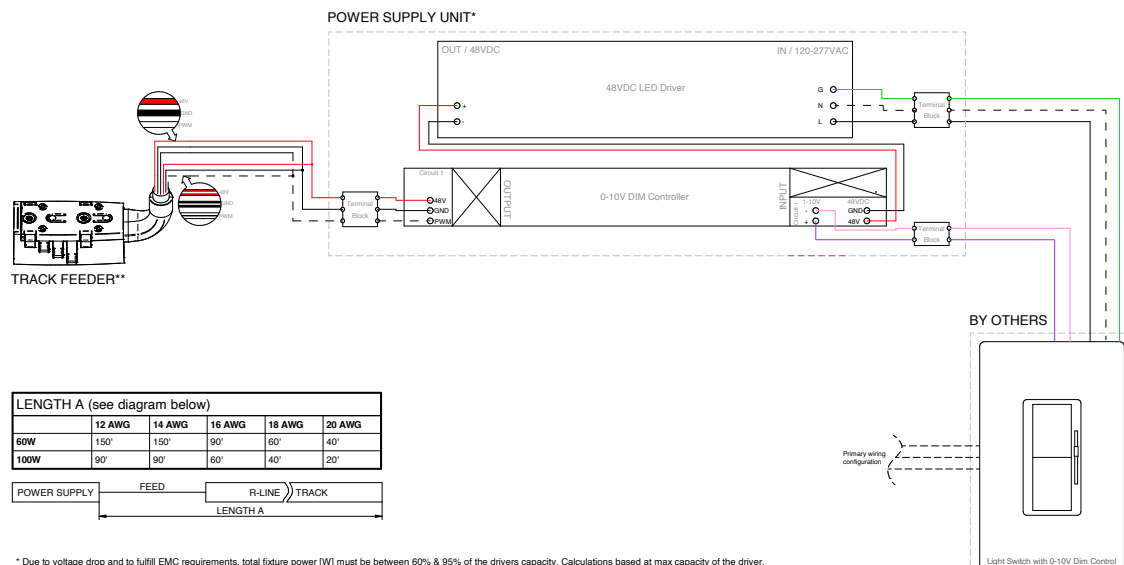
 <p>Please see wiring diagram on page 4</p>	<p>15. Install converter box (ceiling utility room). See page 4 chart for max. distance</p> 	<p>16. Feed the cables into the power supply</p> 
<p>17. Snap track connectors into tracks</p> 	<p>18. Snap insets into tracks</p> 	<p>19. Installation</p> 
<p>Technical Support Hotline</p> <p>The XAL Technical Support Hotline is available from Monday to Friday, 8 AM - 6 PM (EST)</p> <p>Hotline: +1 203 262 9990</p> <p>Email: service@xalusa.com</p>		

WIRING DIAGRAMS

TRACK - Single Circuit (1C), No Dimming

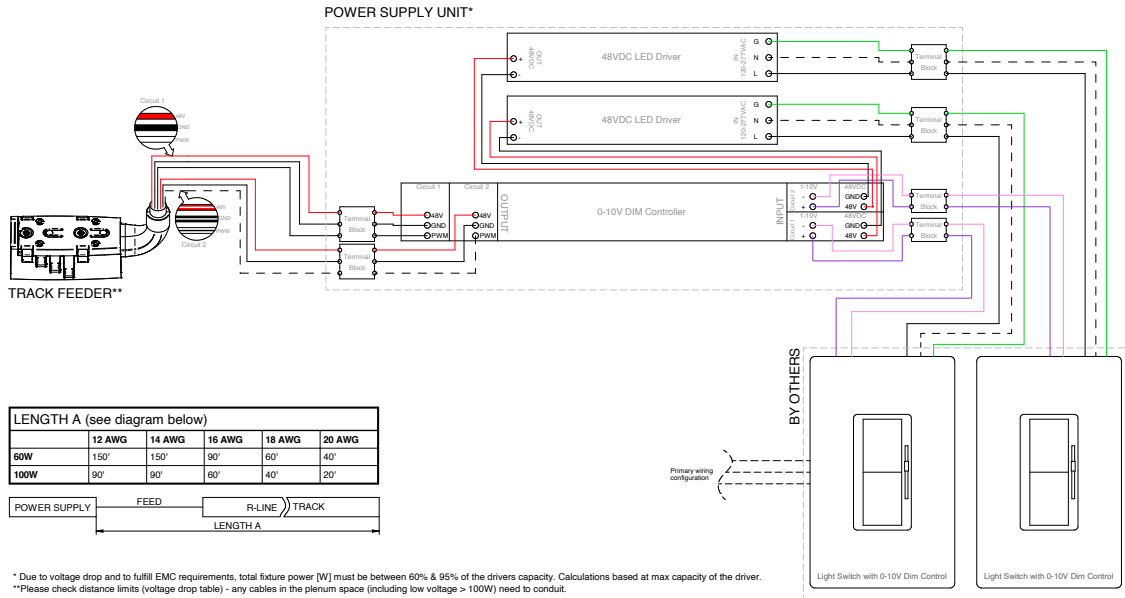


TRACK - Single Circuit (1C), Dimming 0-10V

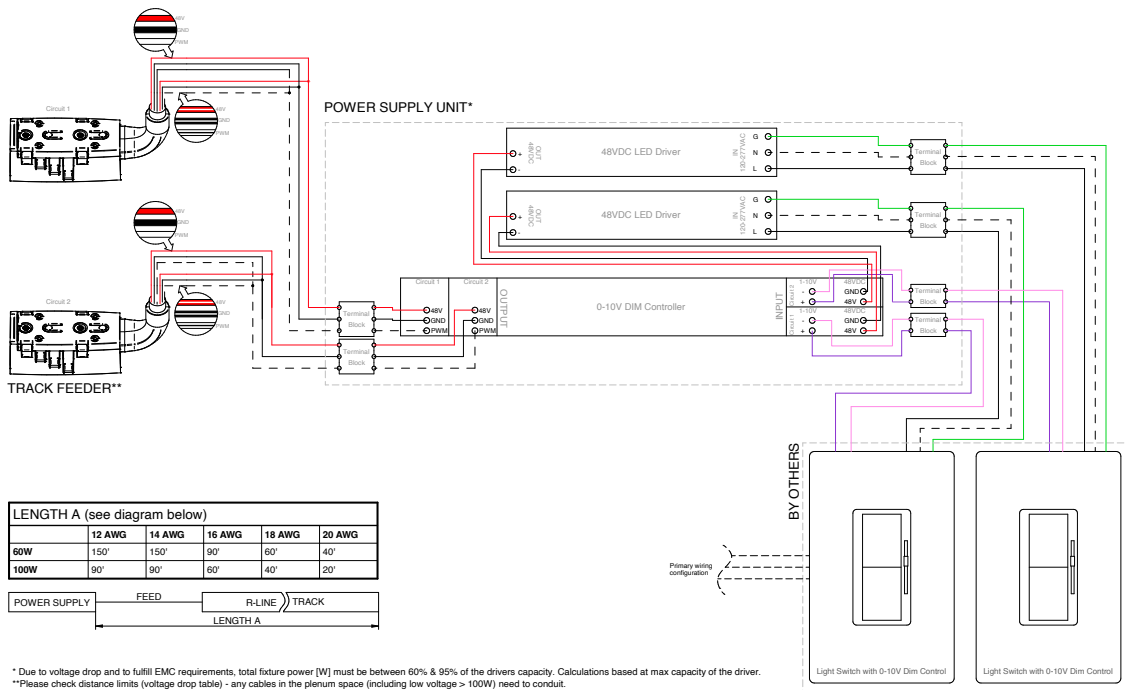


WIRING DIAGRAMS

TRACK - Dual Circuit (2C), Dimming 0-10V (Shared TRACK FEEDER)

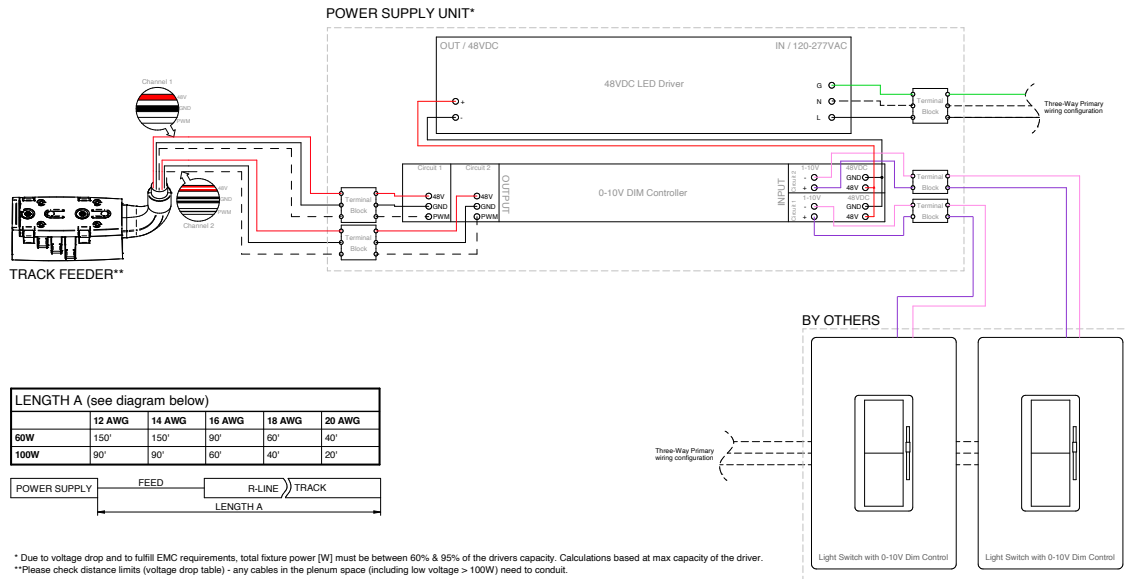


TRACK - Dual Circuit (2C), Dimming 0-10V (Separate TRACK FEEDERS)



WIRING DIAGRAMS

TRACK - Single Circuit (1C), Dual Channel Dimming 0-10V



UPLIGHT - Single Circuit (1C), No Dimming

