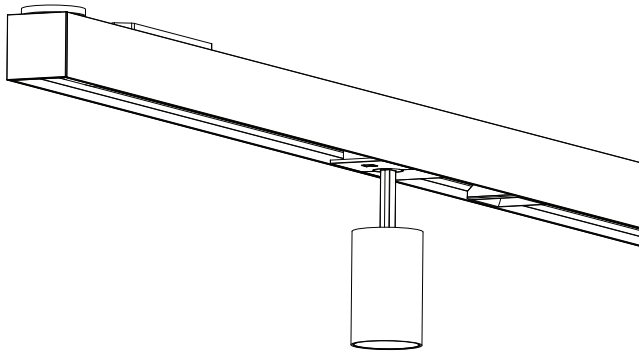







# DO NOT DISCARD!



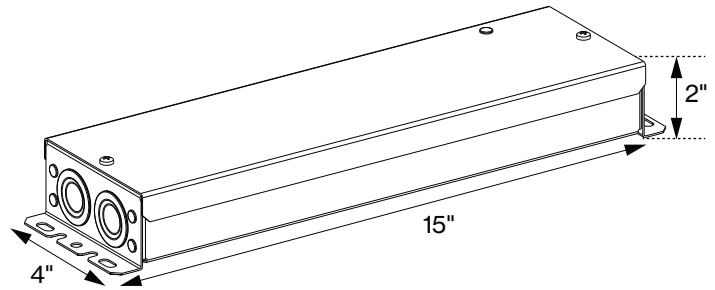
## SIGN LEGEND

-  power OFF
-  power ON
-  don't touch the LEDs
-  attention
-  use anti-static gloves

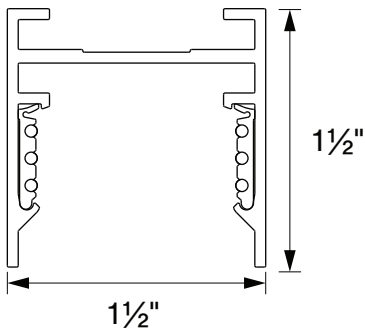
## TOOLS REQUIRED (not included)

-  pencil
-  level
-  screwdriver
-  drill
-  anti-static gloves

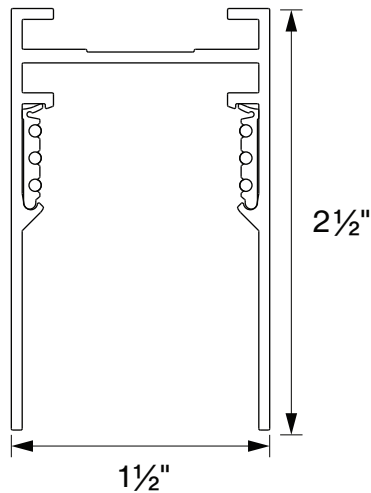
## POWER SUPPLY DIMENSIONS



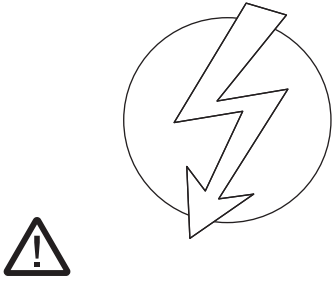
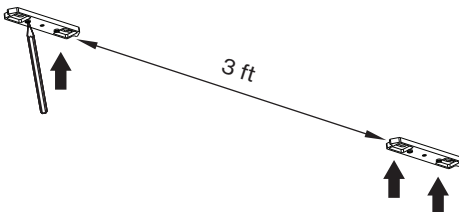


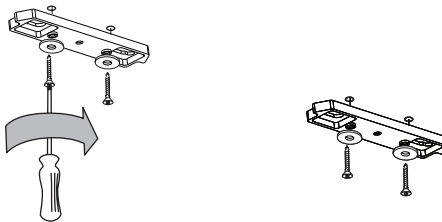
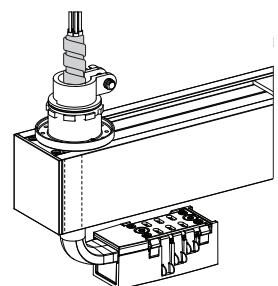
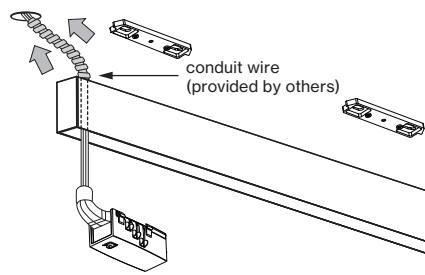
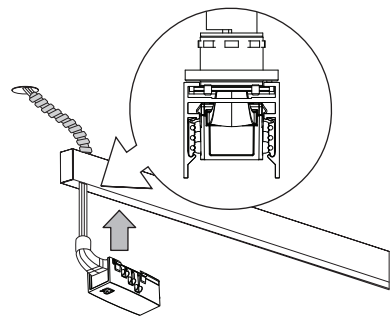
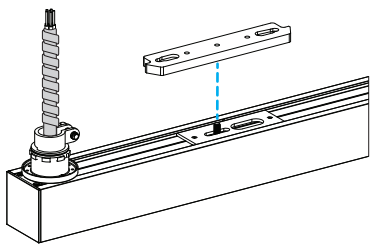
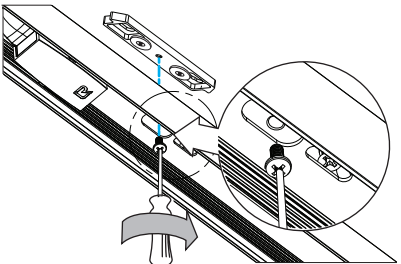
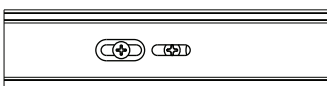
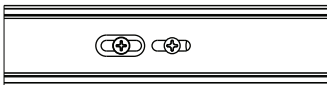
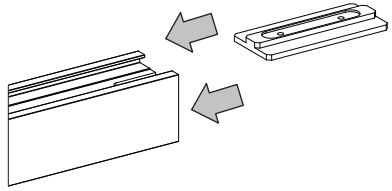
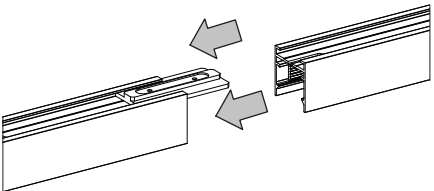
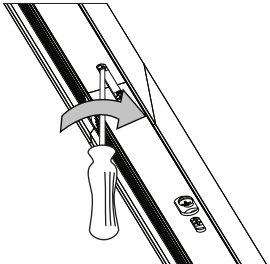
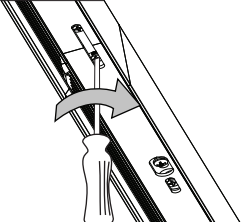
## R-LINE SURFACE R1


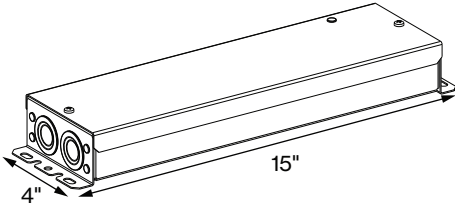
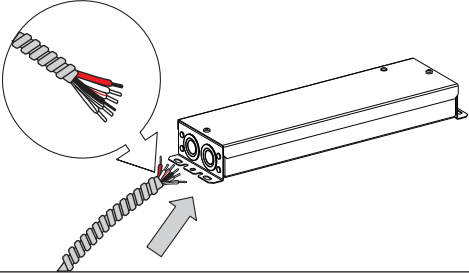
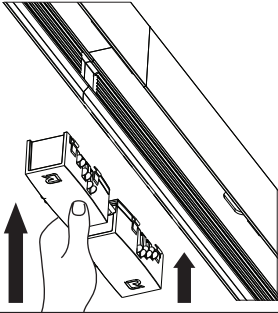
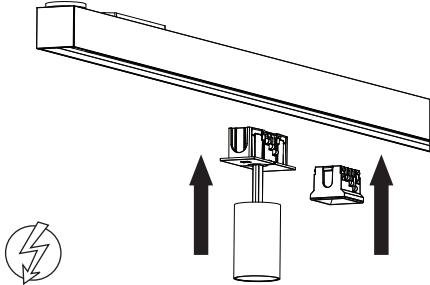
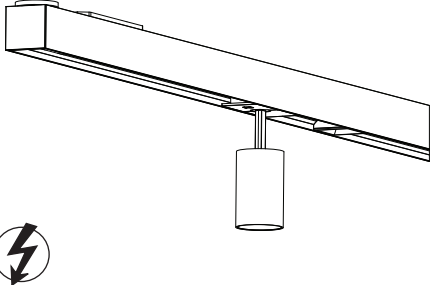


## R-LINE SURFACE R2



MOUNTING INSTRUCTIONS

<p>Turn OFF power source before installation</p> 	<p>1. Mark dimensions for mounting</p> 	<p>2. Drill out holes for bracers and power feed</p> 
<p>3. Insert anchors</p> 	<p>4. Use wood screws and washers to secure brackets. (Repeat steps 1-4 for each individual channel)</p> 	<p>5. Insert feeder though opening at the end of the track</p> 
<p>6. Thread feeder through hole in ceiling</p> 	<p>7. Snap feeder clip into track</p> 	<p>8. Secure the R-LINE plate to the track using set screws and allen wrench</p> 
<p>9. Screw the track onto the bracket from underneath</p> 	<p>10. Check the position of the screws as shown</p> <p><b>CORRECT</b></p>  <p><b>INCORRECT</b></p> 	<p>11. Insert linear connector(s)</p> 
<p>12. Attach adjacent connector to the track</p> 	<p>13. Use screws to secure connector from underneath</p> 	<p>14. If not horizontally flush with the ceiling, use the right screw to level the track with the ceiling.</p> 

 <p>Please see wiring diagram on page 4</p>	<p>15. Install converter box (ceiling utility room). See page 4 chart for max. distance</p> 	<p>16. Feed the cables into the power supply</p> 
<p>17. Snap track connectors into tracks</p> 	<p>18. Snap insets into tracks</p> 	<p>19. Installation</p> 
<p><b>Technical Support Hotline</b></p> <p>The XAL Technical Support Hotline is available from Monday to Friday, 8 AM - 6 PM (EST)</p> <p>Hotline: <b>+1 203 262 9990</b></p> <p>Email: <b>service@xalusa.com</b></p>		