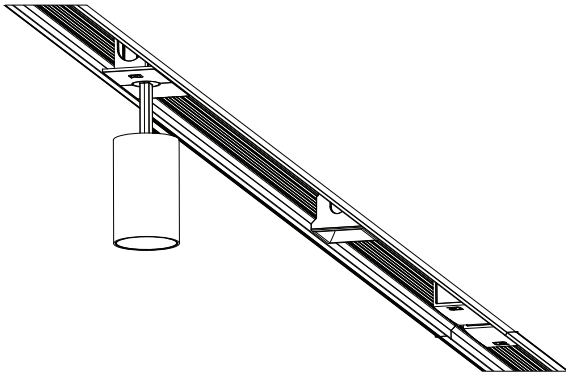


DO NOT DISCARD!



Technical Support Hotline

The XAL Technical Support Hotline is available from Monday to Friday, 8 AM - 6 PM (EST)

Hotline:
+1 203 262 9990

Email:
service@xalusa.com

SIGN LEGEND



power off



attention



power on



use anti-static gloves



don't touch the LED

TOOLS REQUIRED (not included)



pencil



spackle knife



screwdriver



drywall saw



screws



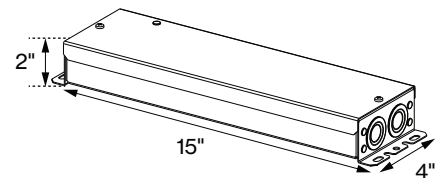
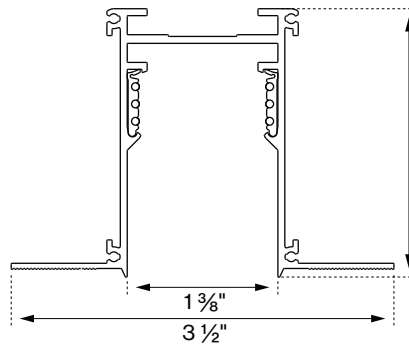
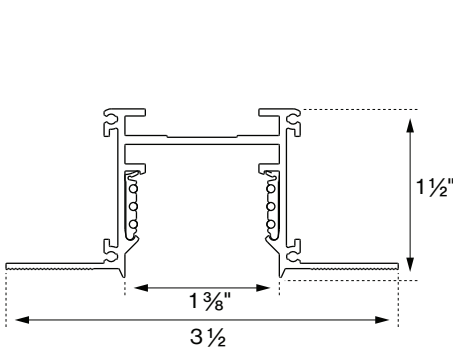
drill

Channel dimensions

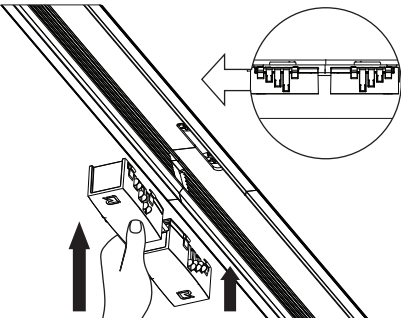
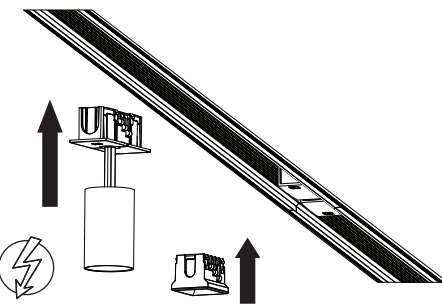
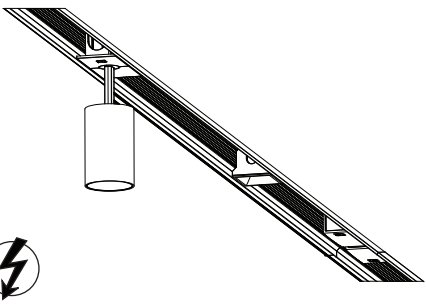
Power supply dimensions

R1 (RECESSED)

R2 (RECESSED)

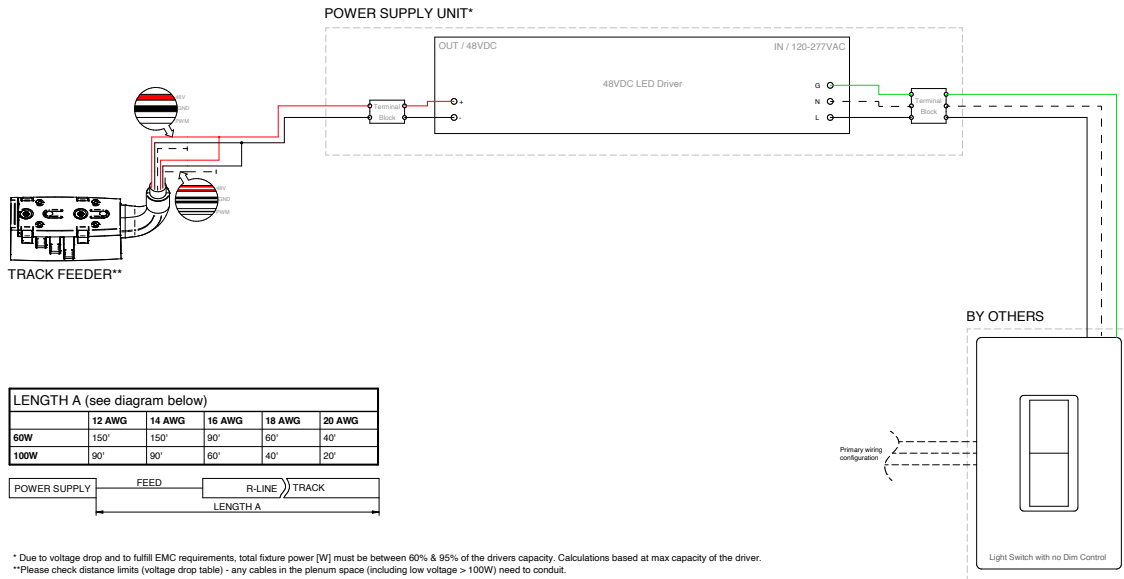


| | | |
|---|--|--|
| <p>Turn OFF power source before installation</p> | <p>1. Cut out hole in ceiling. See page 1 for cutout dimension</p> | <p>2. Insert blocking. If single track skip to step 5</p> |
| <p>3. Install linear connector onto first track</p> | <p>4. Screw the linear connector into the track</p> | <p>5. Screw track(s) to blocks through drywall. If single track, skip to step 9</p> |
| <p>6. Insert next track. Repeat step 5</p> | <p>7. Slide the tracks together through the linear connector</p> | <p>8. Use screws to secure connector again</p> |
| <p>9. Insert feeder into track</p> | <p>10. Install converter box (ceiling / utility room). See page 4 chart for max. distance</p> | <p>11. Connect feeder to converter box</p> |
| <p>Please see wiring diagram on page 4</p> | <p>12. Cover gaps and flange with spackle</p> <p>ATTENTION: DO NOT SPACKLE OR PAINT THE INSIDE OF THE TRACK</p> | <p>13. Once dry, paint over spackle</p> <p>ATTENTION: DO NOT SPACKLE OR PAINT THE INSIDE OF THE TRACK</p> |

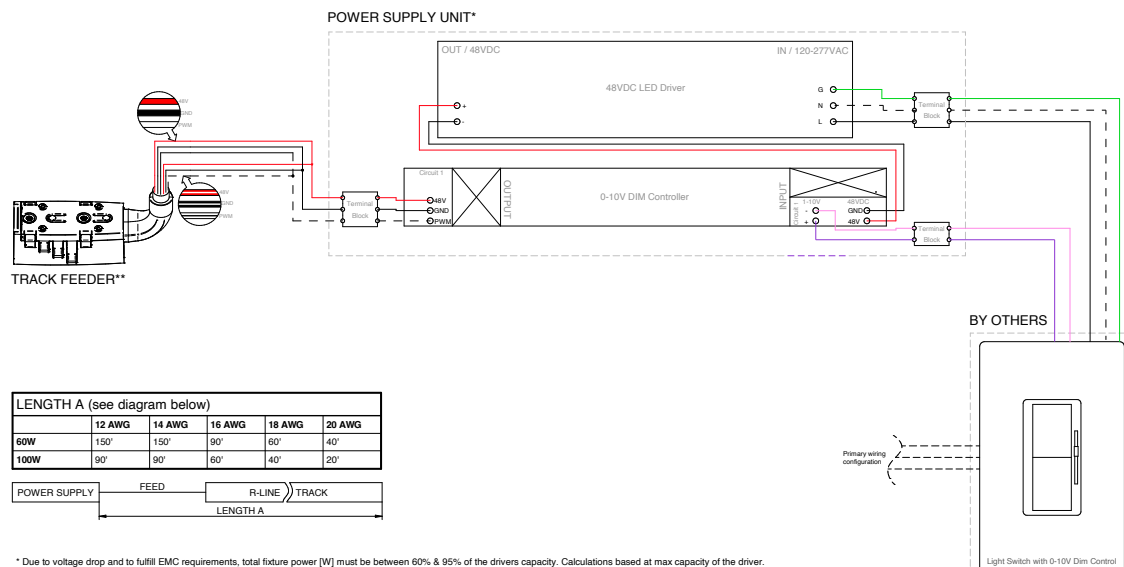
| | | |
|---|---|--|
| <p>14. Snap track connector into track</p>  | <p>15. Snap inset(s) into track(s)</p>  | <p>16. Installation complete</p>  |
| <p>Technical Support Hotline</p> <p>The XAL Technical Support Hotline is available from Monday to Friday, 8 AM - 6 PM (EST)</p> <p>Hotline: +1 203 262 9990</p> <p>Email: service@xalusa.com</p> | | |

WIRING DIAGRAMS

TRACK - Single Circuit (1C), No Dimming

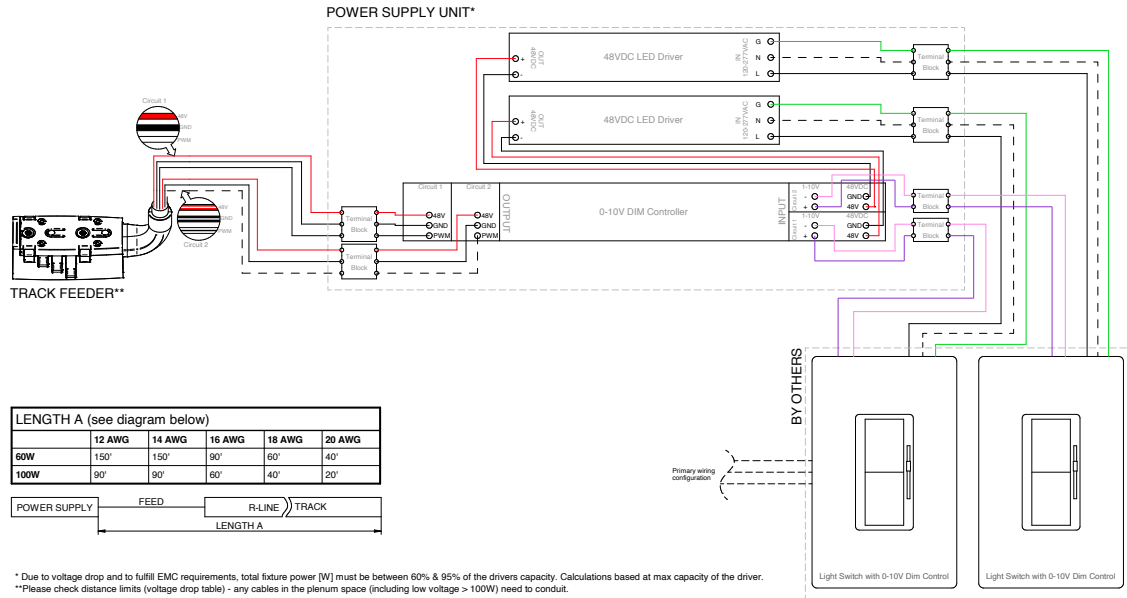


TRACK - Single Circuit (1C), Dimming 0-10V

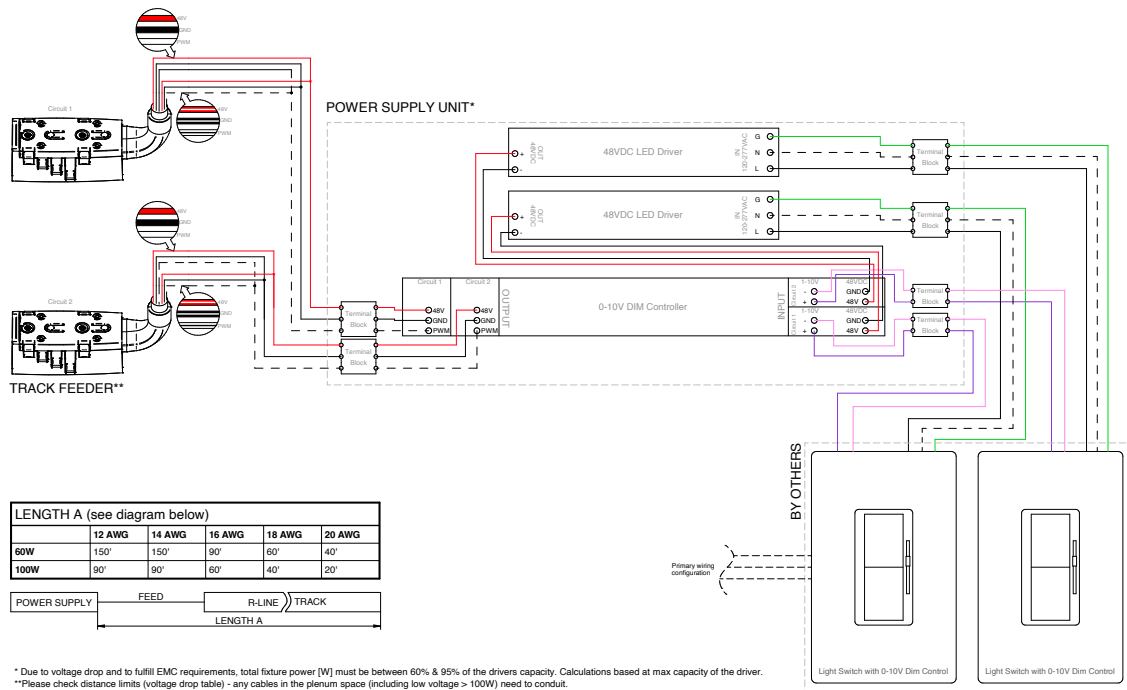


WIRING DIAGRAMS

TRACK - Dual Circuit (2C), Dimming 0-10V (Shared TRACK FEEDER)

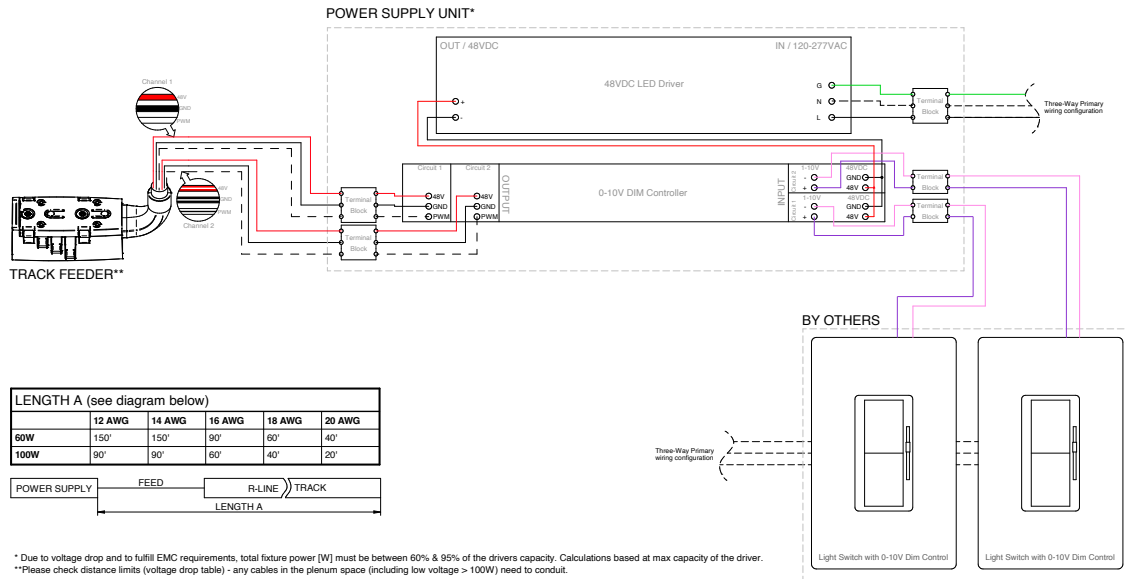


TRACK - Dual Circuit (2C), Dimming 0-10V (Separate TRACK FEEDERS)



WIRING DIAGRAMS

TRACK - Single Circuit (1C), Dual Channel Dimming 0-10V



UPLIGHT - Single Circuit (1C), No Dimming

