

# VELA EVO

## DIRECT/INDIRECT

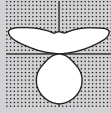


**5 YEAR**  
limited  
led warranty



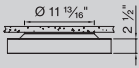
### PERFORMANCE

- Up to 125 lm/W efficiency
- 27 K, 30 K, 35 K, 40 K
- CRI > 80 & CRI > 90
- Passive cooling

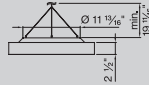


### MOUNTING

Surface



Pendant

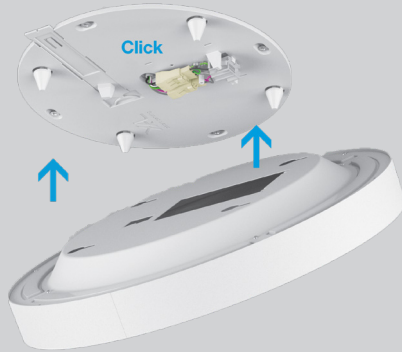


### ONE CLICK INSTALLATION

Mounting & electrical connection with one click



[link to video](#)



### MAKE YOUR ROOM STAND OUT



### Physical attributes

#### A RANGE

VELA EVO V E L A - D / I

#### B SUB CATEGORY

Round R D

#### C MOUNTING

Surface S U R  
Pendant P D T

#### D COLOR

White W H  
Black B L  
Gray G R

#### E LENS

Opal cover O P

#### F CCT

3000 K 3 0 K  
3500 K 3 5 K  
4000 K 4 0 K

#### G CRI

CRI > 80 C 8 0  
CRI > 90 C 9 0

### Electrical attributes

#### H VOLTAGE

120V/277V U N V  
347 V 3 4 7  
only 0-10 V dim

#### I DIMMING

0-10V 1% 0 1 0 V  
DALI D A L I  
Lutron EcoSystem L E S 1  
Quantum, Vive, GRAFIK Eye,  
HomeWorks  
Power over ethernet P O E C  
consult customer service for compatibility

#### J SENSOR (optional)

Integrated Sensor S E N  
consult customer service for sensor  
request

#### K OUTPUT LM

|          |         |             |
|----------|---------|-------------|
| Ø 1 1/2' | 2900lm  | 0 2 9 0 0 L |
|          | 4100lm  | 0 4 1 0 0 L |
| Ø 2'     | 4000lm  | 0 4 0 0 0 L |
|          | 5400lm  | 0 5 4 0 0 L |
|          | 6500lm  | 0 6 5 0 0 L |
| Ø 3'     | 6800lm  | 0 6 8 0 0 L |
|          | 7800lm  | 0 7 8 0 0 L |
|          | 10100lm | 1 0 1 0 0 L |
|          | 13800lm | 1 3 8 0 0 L |

#### L CIRCUIT / EM

Single circuit \*  
\* leave blank  
EMP EM battery pack E M 1

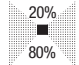
EM battery pack only for 120 / 277 V  
option. Lutron only available for DM 3'  
≤ 10000lm. No Lutron EM available for  
DM 1' or DM 2'

### Dimensional attributes

#### M DIAMETER IN FT

|          |                |
|----------|----------------|
| Ø 1 1/2' | DM - 1 . 5 F T |
| Ø 2'     | DM - 2 F T     |
| Ø 3'     | DM - 3 F T     |

Technical data

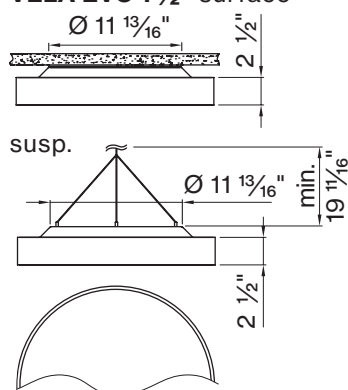
| SIZE TYPE   | LED COLOR TEMPERATURE | INPUT WATTS | DELIVERED LM TOTAL | LIGHT DISTRIBUTION | DELIVERED LM DIRECT | DELIVERED LM INDIRECT | OPTICAL EFFICIENCY | LUMINAIRE EFFICACY |         |
|---|-----------------------|-------------|--------------------|--------------------|---------------------|-----------------------|--------------------|--------------------|---------|
| <br>20%<br>80% | Ø 1 1/2' gray         | 30K, 35K    | 28W                | 2870lm             | 73% down / 27% up   | 2090lm                | 780lm              | 86%                | 102lm/W |
|   |                       | 40K         |                    | 2980lm             |                     | 2180lm                | 810lm              |                    | 107lm/W |
|   |                       | 30K, 35K    | 47W                | 4070lm             | 73% down / 27% up   | 2990lm                | 1090lm             |                    | 87lm/W  |
|   |                       | 40K         |                    | 4240lm             |                     | 3110lm                | 1130lm             |                    | 91lm/W  |
| Ø 2' gray   | 30K, 35K              | 35W         | 4020lm             | 76% down / 24% up  | 3060lm              | 960lm                 | 86%                | 114lm/W            |         |
|   | 40K                   |             | 4180lm             |                    | 3180lm              | 1000lm                |                    | 118lm/W            |         |
|   | 30K, 35K              | 50W         | 5400lm             | 76% down / 24% up  | 4090lm              | 1310lm                |                    | 107lm/W            |         |
|   | 40K                   |             | 5610lm             |                    | 4250lm              | 1360lm                |                    | 111lm/W            |         |
|   | 30K, 35K              | 64W         | 6450lm             | 80% down / 20% up  | 5110lm              | 1330lm                |                    | 100lm/W            |         |
|   | 40K                   |             | 6710lm             |                    | 5320lm              | 1380lm                |                    | 104lm/W            |         |
| Ø 3' gray   | 30K, 35K              | 57W         | 6830lm             | 74% down / 26% up  | 5050lm              | 1780lm                | 86%                | 119lm/W            |         |
|   | 40K                   |             | 7100lm             |                    | 5250lm              | 1850lm                |                    | 124lm/W            |         |
|   | 30K, 35K              | 67W         | 7800lm             | 80% down / 20% up  | 6020lm              | 1780lm                |                    | 117lm/W            |         |
|   | 40K                   |             | 8110lm             |                    | 6250lm              | 1850lm                |                    | 121lm/W            |         |
|   | 30K, 35K              | 91W         | 10130lm            | 80% down / 20% up  | 8040lm              | 2080lm                |                    | 111lm/W            |         |
|   | 40K                   |             | 10540lm            |                    | 8360lm              | 2170lm                |                    | 115lm/W            |         |
|   | 30K, 35K              | 135W        | 13790lm            | 80% down / 20% up  | 10980lm             | 2800lm                |                    | 102lm/W            |         |
|   | 40K                   |             | 14350lm            |                    | 11420lm             | 2910lm                |                    | 106lm/W            |         |

Accessory

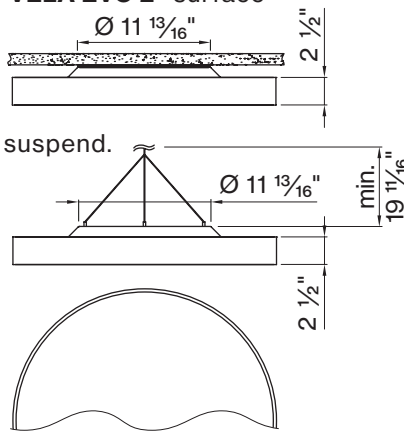
SUSPENSION SET < 36 INCH

3-piece barrel mount set 698 - 098 - 05140

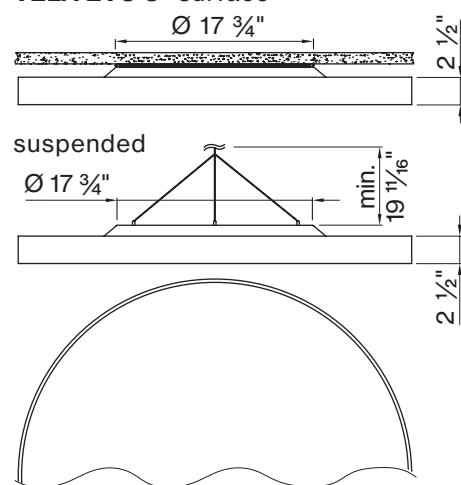
VELA EVO 1 1/2' surface



VELA EVO 2' surface



VELA EVO 3' surface



FIXTURE DIMENSIONS

| NOMINAL  | DIMENSIONS            | CODE     |
|----------|-----------------------|----------|
| Ø 1 1/2' | Ø 17 3/4" / h 3 1/2"  | DM-1.5FT |
| Ø 2'     | Ø 23 5/8" / h 3 1/2"  | DM-2FT   |
| Ø 3'     | Ø 35 7/16" / h 3 1/2" | DM-3FT   |

VELA EVO mounting instructions

Get access to the Vela Evo mounting instructions faster by scanning the QR code.



[www.xalusa.com/resources/mounting-instructions/vela-evo](http://www.xalusa.com/resources/mounting-instructions/vela-evo)