

VELA EVO DIRECT

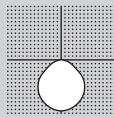


5 YEAR
limited
led warranty



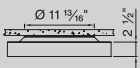
PERFORMANCE

- Up to 123 lm/W efficiency
- 27 K, 30 K, 35 K, 40 K
- CRI > 80 & CRI > 90

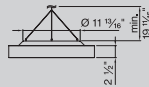


MOUNTING

Surface



Pendant

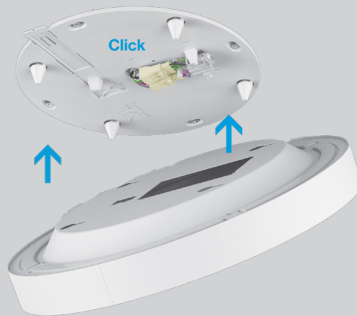


ONE CLICK INSTALLATION

Mounting & electrical connection with one click



[link to video](#)



MAKE YOUR ROOM STAND OUT



Physical attributes

A RANGE

VELA EVO V E L A - D I R

B SUB CATEGORY

ROUND R D

C MOUNTING

QS Surface S U R
QS Pendant P D T

D COLOR

QS White W H
Black B L
Gray G R

E LENS

Opal cover O P

F CCT

QS 3000 K 3 0 K
QS 3500 K 3 5 K
4000 K 4 0 K

G CRI

QS CRI > 80 C 8 0
CRI > 90 C 9 0

Electrical attributes

H VOLTAGE

120V/277V U N V
347 V 3 4 7
only 0-10 V dim

I DIMMING

QS 0-10V 1% 0 1 0 V
DALI D A L I
Lutron EcoSystem L E S 1
Quantum, Vive, GRAFIK Eye,
HomeWorks

Power over ethernet P O E C

consult customer service for compatibility

J SENSOR (optional)

Integrated Sensor S E N
consult customer service for sensor
request

K OUTPUT LM

QS Ø 1 1/2' 2000lm 0 2 0 0 0 L
QS 3000lm 0 3 0 0 0 L
QS Ø 2' 3000lm 0 3 0 0 0 L
4000lm 0 4 0 0 0 L
5000lm 0 5 0 0 0 L
QS Ø 3' 5000lm 0 5 0 0 0 L
6000lm 0 6 0 0 0 L
8000lm 0 8 0 0 0 L
11000lm 1 1 0 0 0 L

L CIRCUIT / EM

QS Single circuit *
* leave blank
EMP EM battery pack E M 1


Emergency battery pack only for 120 / 277 V option. Hi-lume only available for DM 3'. No Hi-Lume EM available for DM 1' and 2'

Dimensional attributes

M DIAMETER IN FT

Ø 1 1/2' D M - 1 . 5 F T
Ø 2' D M - 2 F T
Ø 3' D M - 3 F T

Technical data

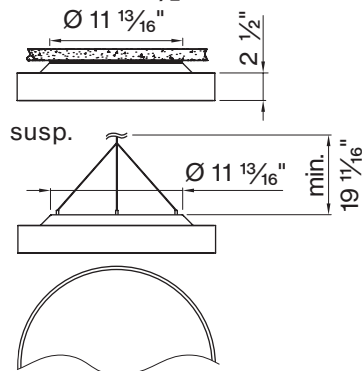
SIZE TYPE	LED COLOR TEMPERATURE	INPUT WATTS	DELIVERED LM TOTAL	LIGHT DISTRIBUTION	DELIVERED LM DIRECT	OPTICAL EFFICIENCY	LUMINAIRE EFFICACY
 Ø 1 1/2' gray	30K, 35K	20W	2080lm	100% down	2080lm	85%	102lm/W
	40K		2160lm		2160lm		106lm/W
	30K, 35K	34W	2970lm		2970lm		87lm/W
	40K		3080lm		3080lm		90lm/W
Ø 2' gray	30K, 35K	27W	3030lm	100% down	3030lm	85%	111lm/W
	40K		3160lm		3150lm		116lm/W
	30K, 35K	39W	4060lm		4060lm		104lm/W
	40K		4220lm		4220lm		108lm/W
	30K, 35K	53W	5080lm		5070lm		96lm/W
	40K		5280lm		5270lm		100lm/W
Ø 3' gray	30K, 35K	43W	5010lm	100% down	5010lm	85%	116lm/W
	40K		5210lm		5210lm		121lm/W
	30K, 35K	53W	5970lm		5970lm		113lm/W
	40K		6210lm		6210lm		118lm/W
	30K, 35K	75W	7980lm		7970lm		107lm/W
	40K		8300lm		8290lm		111lm/W
	30K, 35K	112W	10900lm		10890lm		98lm/W
	40K		11340lm		11330lm		102lm/W

Accessory

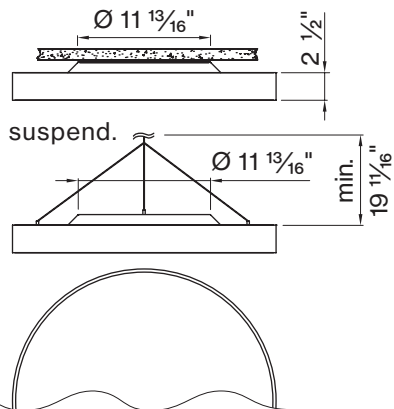
SUSPENSION SET < 36 INCH

3-piece barrel mount set 698 - 098 - 05140

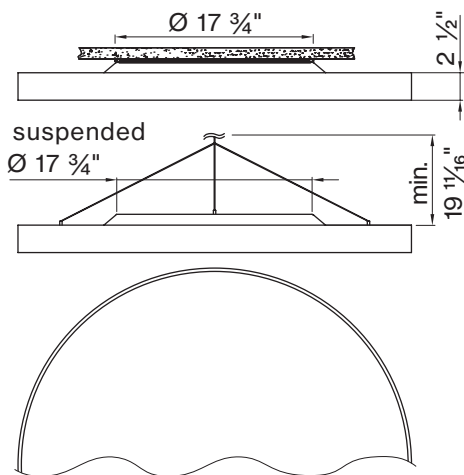
VELA EVO 1 1/2' surface



VELA EVO 2' surface



VELA EVO 3' surface



FIXTURE DIMENSIONS

NOMINAL	DIMENSIONS	CODE
Ø 1 1/2'	Ø 17 3/4" / h 3 1/2"	DM-1.5FT
Ø 2'	Ø 23 5/8" / h 3 1/2"	DM-2FT
Ø 3'	Ø 35 7/16" / h 3 1/2"	DM-3FT

VELA EVO mounting instructions

Get access to the Vela Evo mounting instructions faster by scanning the QR code.



www.xalusa.com/resources/mounting-instructions/vela-evo