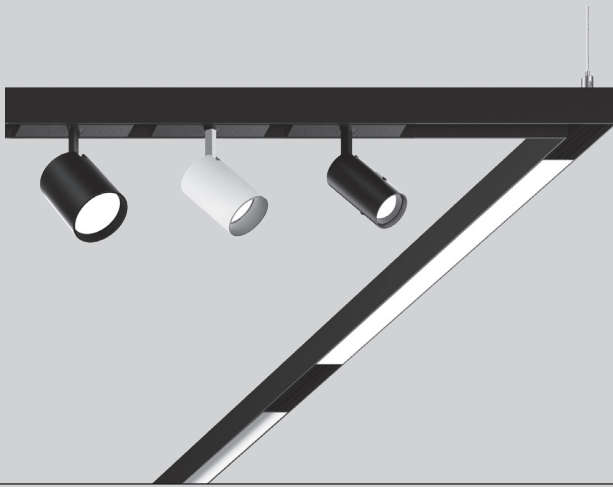


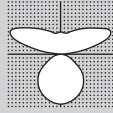
MOVE IT 1.1

DIRECT/INDIRECT



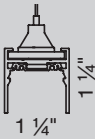
PERFORMANCE

- 48V low voltage track
- Multiple inset options
- CRI > 90
- Flexible magnetic profile system



MOUNTING

Pendant



PATTERNS



X Shapes



Custom Angles



L Shapes



Rectangles



T Shapes



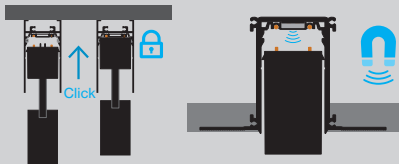
Wall to Ceiling

For more patterns, please contact customer service

MAGNETIC ATTACHMENT



[link to video](#)



5 YEAR
limited
led warranty

Catalog Number Example

MOVE1.1-PDT-BL-BW-30K-C90-48V-010V-500LF-LS-02FT

A RANGE

MOVE IT 1.1 MOVE 1 . 1

B MOUNTING

CS Pendant P D T

pendant suspension set includes cable suspension and one white J-box cover

C COLOR outside / inside

White W H
CS Black B L

D INDIRECT LENS

Batwing uplight B W

E CCT

2700 K 2 7 K
3000 K 3 0 K
3500 K 3 5 K
4000 K 4 0 K

F CRI

CRI > 90 C 9 0

G VOLTAGE

48V 4 8 V
constant voltage track

H DIMMING

CS 0-10V 1% single control 0 1 0 V
0-10V 1% dual control* D C 1 0
*two 0-10V dimming outputs
Lutron 5% single control L E S 1
wiring diagram is on power supply page

I OUTPUT LM/FT INDIRECT

500lm/ft ± 0 5 0 0 L F

J SHAPE / PATTERN

CS Linear S T
L-shape L S
□-shape (rectangular shape) R S
U-shape U S
Z-shape Z S
Wall to ceiling W C
Custom shape X X

for more patterns, please consult customer service (RCP required)

K DIMENSIONS IN FEET

Linear 2' 0 2 FT
CS Linear 4' 0 4 FT
Linear 6' 0 6 FT
CS Linear 8' 0 8 FT
Linear custom # # FT
L-shape # # X # # FT
custom
□-shape # # X # # FT
custom
U-shape # # X # # X # # FT
custom
Z-shape # # X # # X # # FT
custom
dimensions starting at 2' in 1' increments; for custom dimensions, please consult customer service; track not field-cuttable

Accessories

BLIND COVER (field cuttable) 1 1/8"
LENGTH FT / INCH COLOR
4' black N 5 0 - 4 0 0 4 0 0 8
8' black N 5 0 - 4 0 0 8 0 0 8

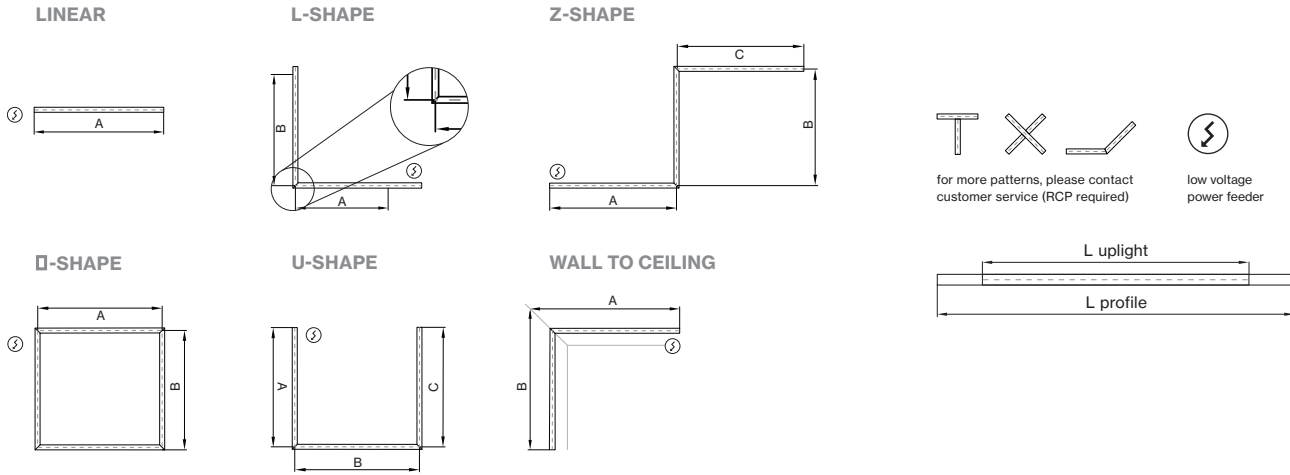
Channel

UPLIGHT direct / batwing uplight / 5.5W/ft / 27K / 30K / 35K

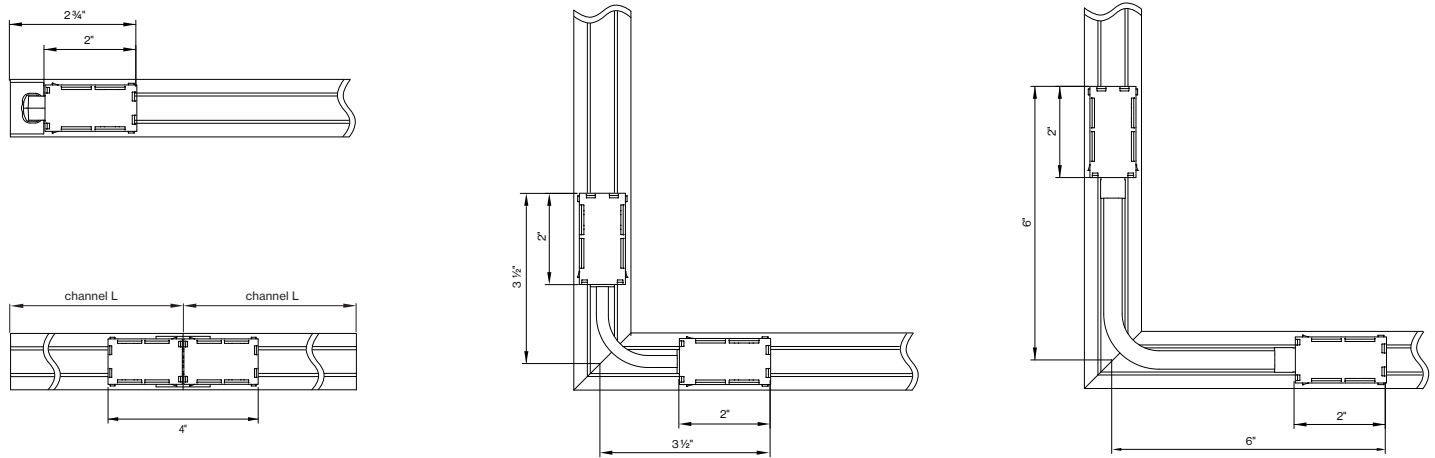


PROFILE LENGTH	UPLIGHT LENGTH	INPUT WATTS	DELIVERED LUMENS
2'	1 1/2'	8 W	1000 lm
4'	3 1/2'	16 W	2000 lm

Possible shapes top view please provide RCP to ensure correct shape orientation



Power feeder locations



MOVE IT SYSTEM Mounting Instructions

Get access to the MOVE IT SYSTEM mounting instructions faster by scanning the QR code.

<https://www.xalusa.com/resources/mounting-instructions/move-it-system>

