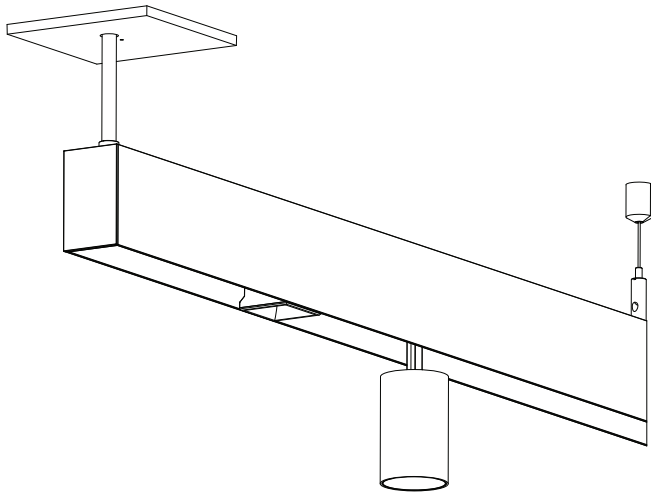


DO NOT DISCARD!



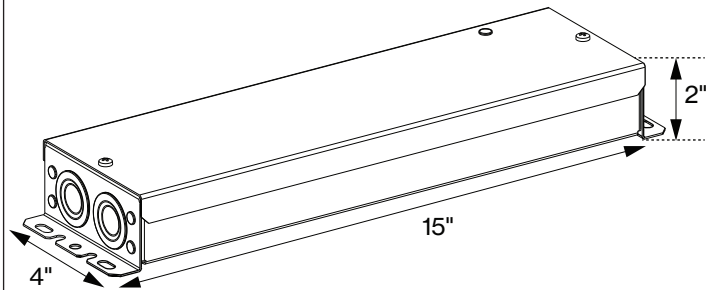
SIGN LEGEND

- power OFF
- power ON
- don't touch the LEDs
- attention
- use anti-static gloves

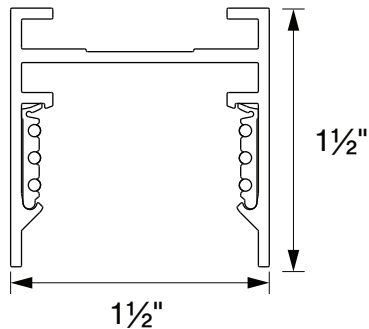
TOOLS REQUIRED (not included)

- pencil
- level
- screwdriver
- drill
- anti-static gloves

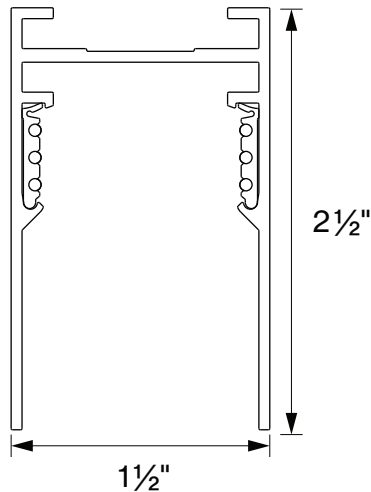
POWER SUPPLY DIMENSIONS



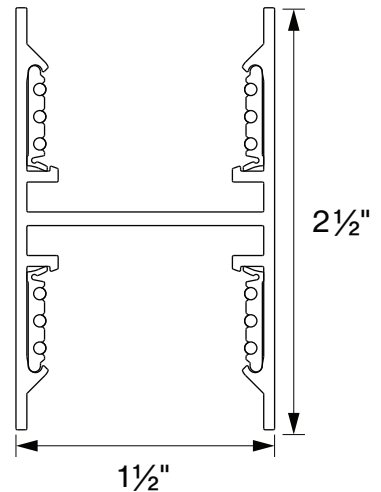
R-LINE
PENDANT R1



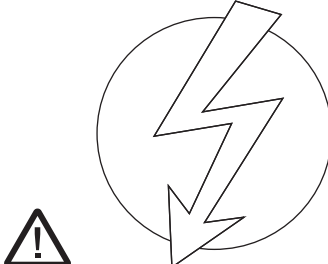

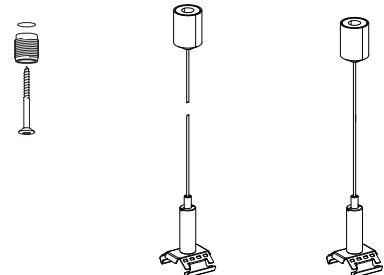
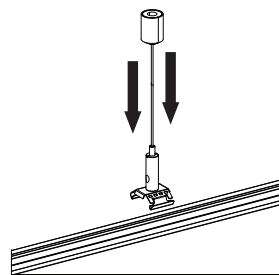
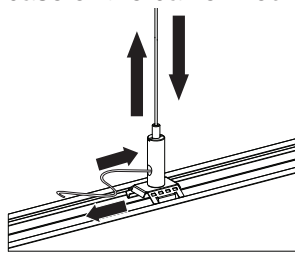
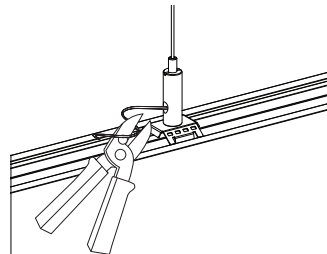
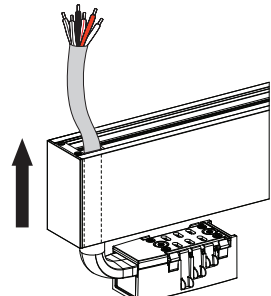
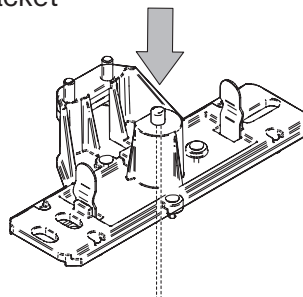
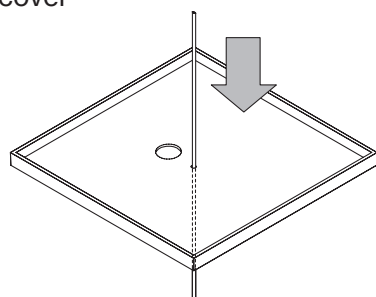
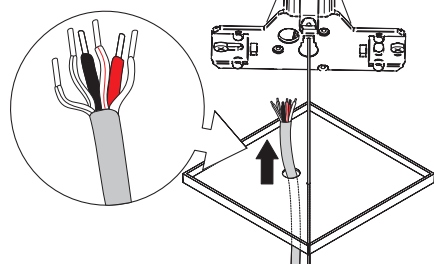
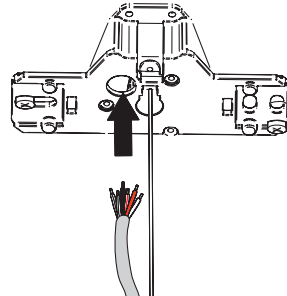
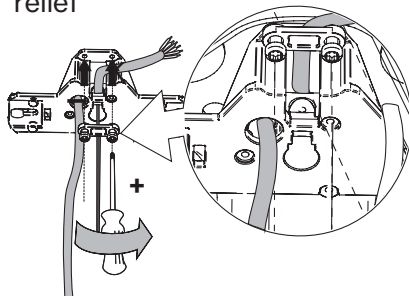
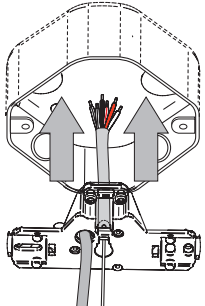
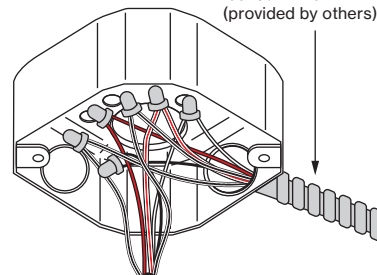
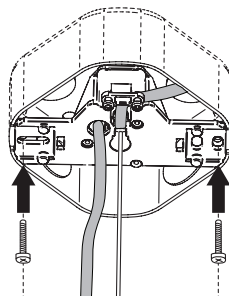
R-LINE
PENDANT R2



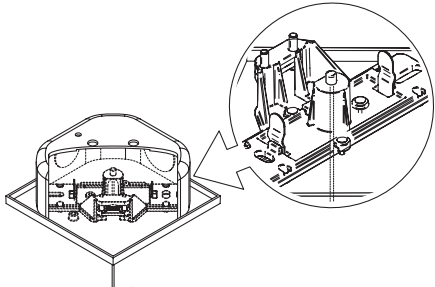
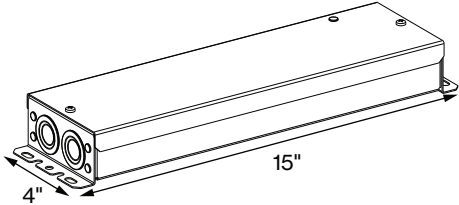
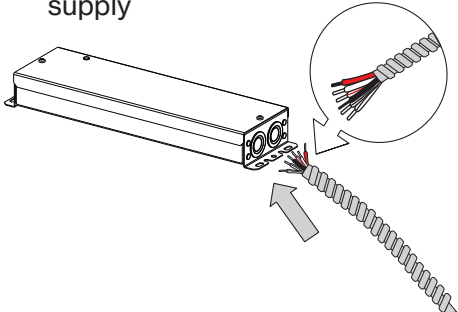

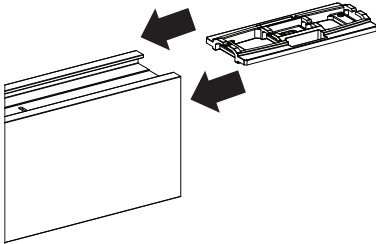
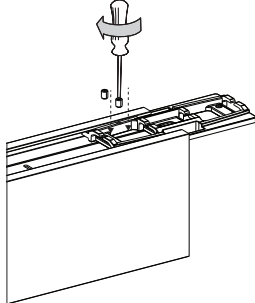
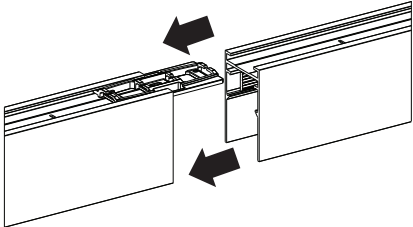
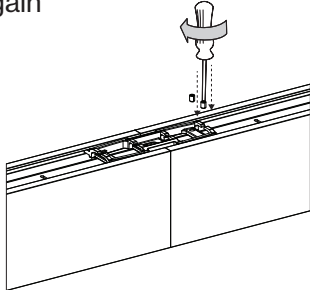
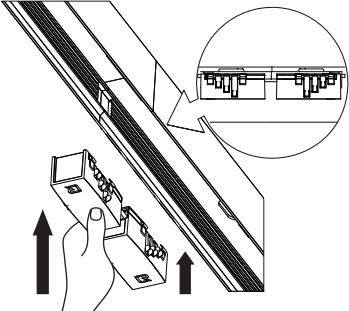
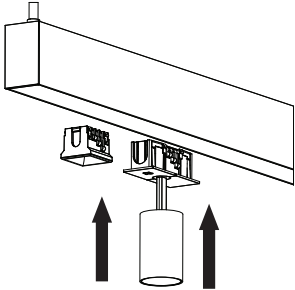

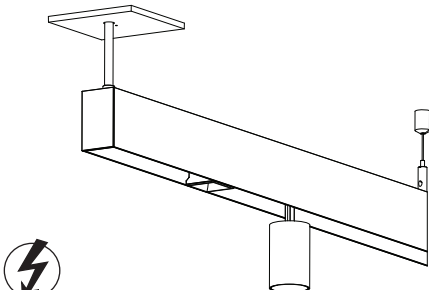

R-LINE
PENDANT R3



MOUNTING INSTRUCTIONS

<p>Turn OFF power source before installation</p> 	<p>1. Layout track(s) and mark mounting points</p> 	<p>2. Assemble barrel mount and rope fixation</p> 
<p>3. Click rope fixation into top of track.</p> 	<p>4. Adjust aircraft cables to proper height. (Can also be adjusted at the base of the barrel mount.)</p> 	<p>5. Trim aircraft cables once tracks have been leveled</p> 
<p>6. Insert feeder through hole in track</p> 	<p>7. Thread aircraft cable through bracket</p> 	<p>8. Thread aircraft cable through cover</p> 
<p>9. Thread feeder through cover plate</p> 	<p>10. Thread feeder through bracket</p> 	<p>11. Use screws to secure strain relief</p> 
<p>12. Place bracket into junction-box</p> 	<p>13. Splice the cables in the j-box with wire nuts</p> 	<p>14. Screw bracket into J-box</p> 

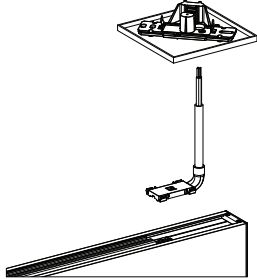
MOUNTING INSTRUCTIONS

<p>15. Click cover onto mounting plate springs</p> 	<p>16. Install converter box (ceiling / utility room). See page 4 chart for max. distance</p> 	<p>17. Feed the cables into the power supply</p> 
 <p>Please see wiring diagram on page 5</p>	<p>18. Insert linear connector</p> 	<p>19. Use screws to secure connector</p> 
<p>20. Slide next track onto linear connector</p> 	<p>21. Use screws to secure connector again</p> 	<p>22. Snap track connectors into tracks</p> 
<p>23. Snap insets into tracks</p>  	<p>24. Installation complete</p>  	<p>Technical Support Hotline</p> <p>The XAL Technical Support Hotline is available from Monday to Friday, 8 AM - 6 PM (EST)</p> <p>Hotline: +1 203 262 9990</p> <p>Email: service@xalusa.com</p>
<p>Please refer to the next page for the instructions on installing the R-LINE indirect feed.</p>		

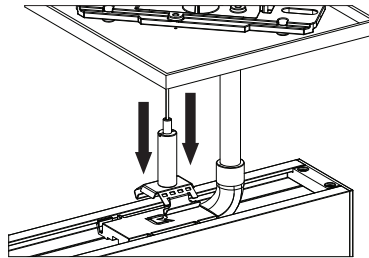
MOUNTING INSTRUCTIONS

Please note that the following instructions are for installing the **optional indirect feed** and are not necessary for installing the direct feed for R-LINE.

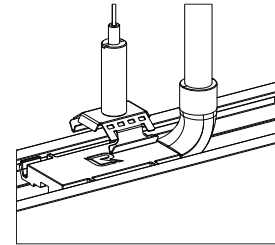
24. Snap indirect feeder into the channel



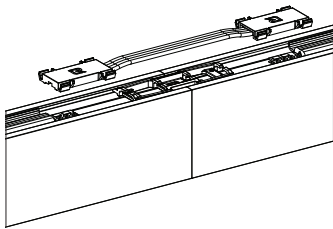
25. Click feeder suspension cable to the track



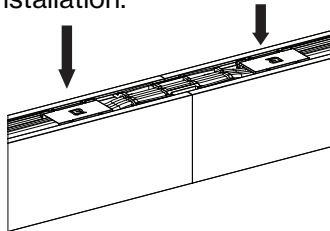
25a. Note: Additional suspension cables be clicked into any channels that have the R-LINE logo



26. Align the indirect connector with the linear connector from above



27. Snap the indirect connector to the linear connector. Follow steps 22 and 23 to complete installation.



Technical Support Hotline

The XAL Technical Support Hotline is available from Monday to Friday, 8 AM - 6 PM (EST)

Hotline: **+1 203 262 9990**

Email: **service@xalusa.com**